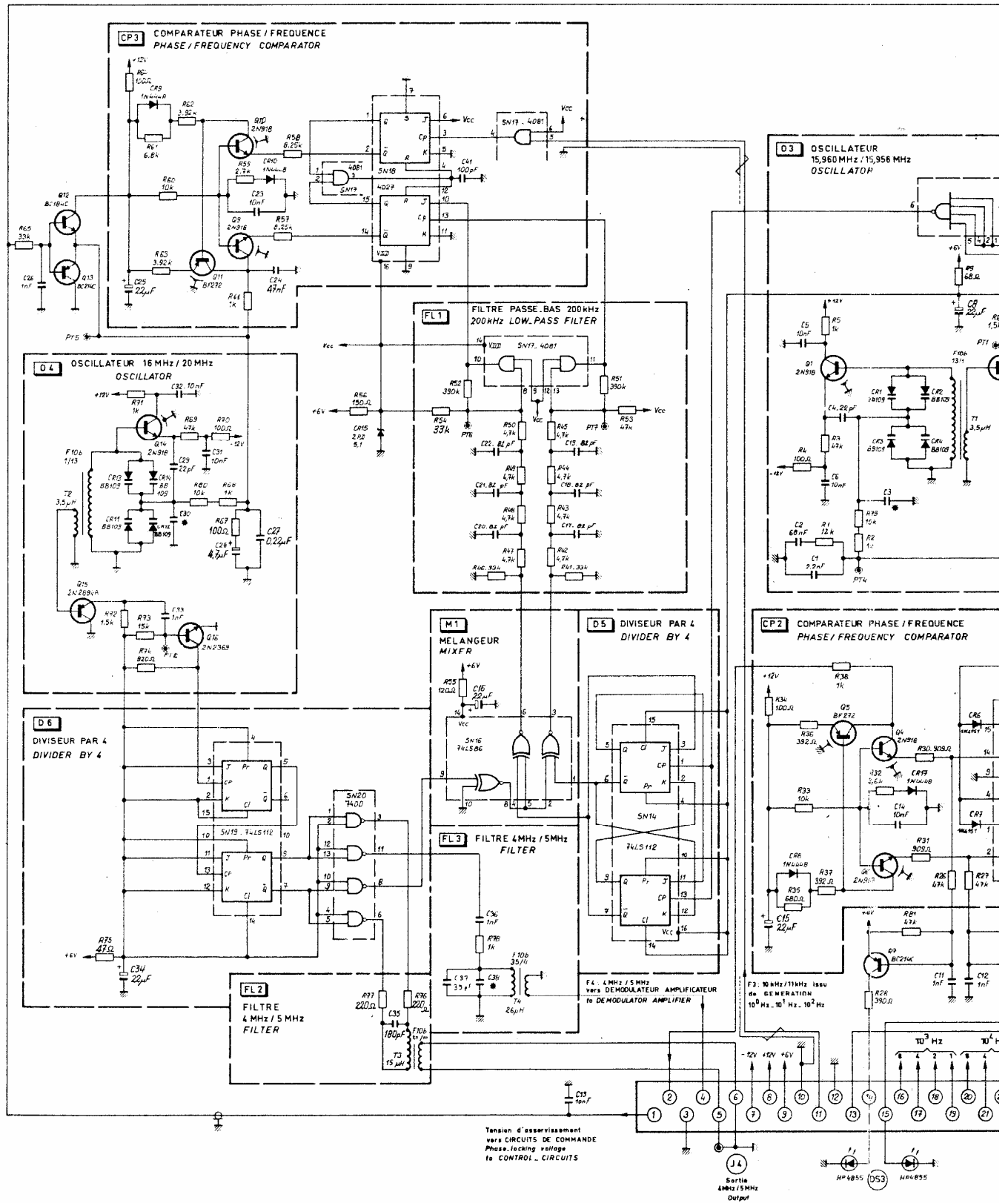
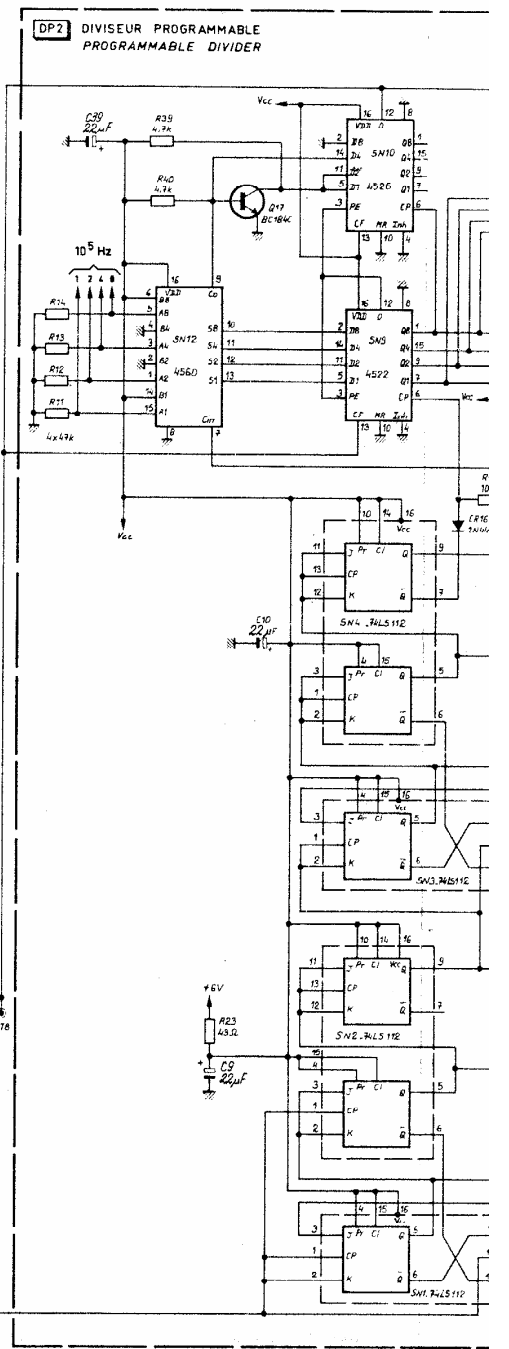
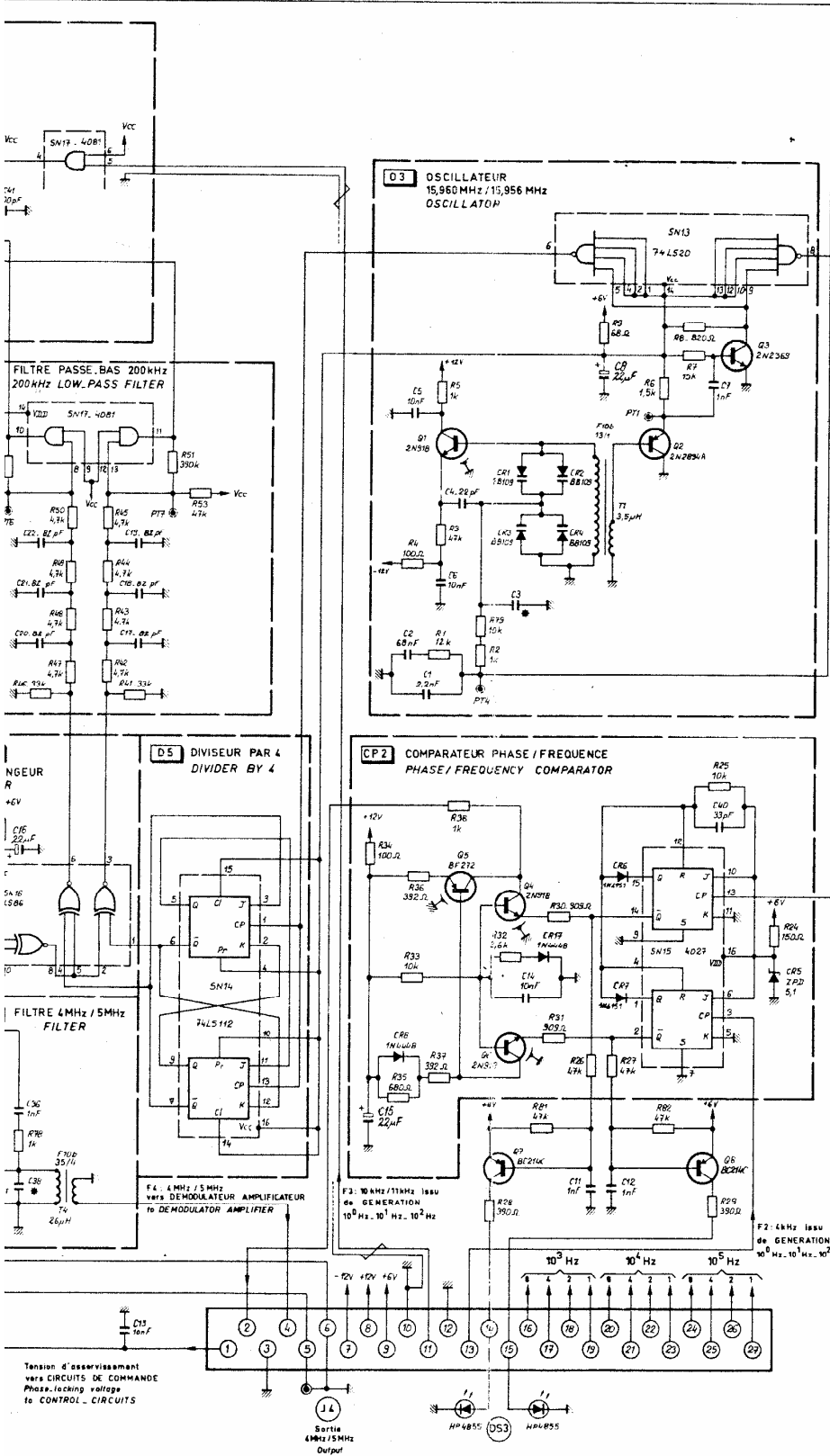
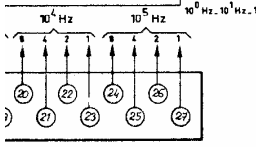
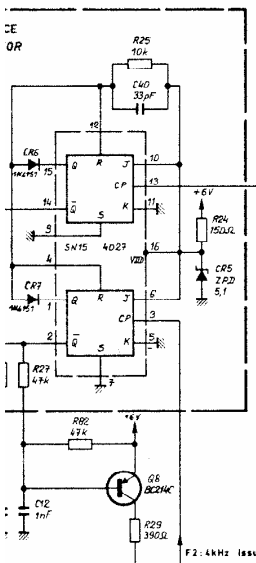
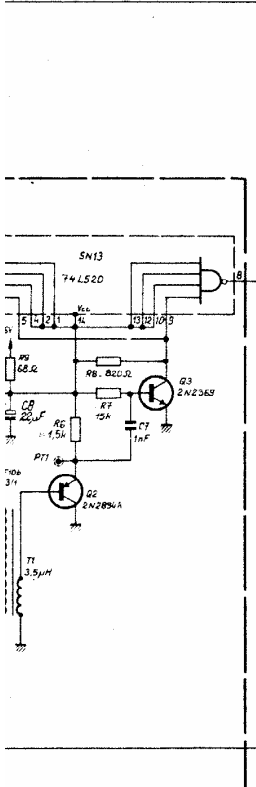


| REPERE<br>INDEXE | REF. ADRET<br>PART NUMBER | DESCRIPTION                     | PART DESCRIPTION                  | FOURNISSEUR/PLAN<br>SUPPLIER/DRAWING | QTE<br>QTY |
|------------------|---------------------------|---------------------------------|-----------------------------------|--------------------------------------|------------|
| B -001           | 1427011600                | TM 27 MCIG ..... MALE*CARTE*    | * TM 27 MCIG ..... MALE           | TRELEC                               | 1          |
| C -001           | 3150031000                | 10NF 5,08 63V GOX 767 14        | * 10NF 5,08 63V GOX 767 14        | LCC                                  | 1          |
| C -002           | 3120011000                | 100PF 2,5 'N10' 2222 680 58 101 | * 100PF 2,5 'N10' 2222 680 58 101 | COGECO                               | 1          |
| C -003           | 3700180000                | 22MMF/16V 5,08 ... STAND L TAG  | * 22MMF/16V 5,08 ... STAND L TAG  | STC                                  | 1          |
| C -004           | 3700180000                | 22MMF/16V 5,08 ... STAND L TAG  | * 22MMF/16V 5,08 ... STAND L TAG  | STC                                  | 1          |
| C -005           | 3700180000                | 22MMF/16V 5,08 ... STAND L TAG  | * 22MMF/16V 5,08 ... STAND L TAG  | STC                                  | 1          |
| C -006           | 3120013300                | 330PF 2,5 'N33' 2222 680 58 331 | * 330PF 2,5 'N33' 2222 680 58 331 | COGECO                               | 1          |
| C -007           | 3120013300                | 330PF 2,5 'N33' 2222 680 58 331 | * 330PF 2,5 'N33' 2222 680 58 331 | COGECO                               | 1          |
| C -008           | 3150031000                | 10NF 5,08 63V GOX 767 14        | * 10NF 5,08 63V GOX 767 14        | LCC                                  | 1          |
| C -009           | 3120012200                | 220PF 2,5 'N22' 2222 680 58 221 | * 220PF 2,5 'N22' 2222 680 58 221 | COGECO                               | 1          |
| C -010           | 3120012200                | 220PF 2,5 'N22' 2222 680 58 221 | * 220PF 2,5 'N22' 2222 680 58 221 | COGECO                               | 1          |
| C -011           | 3120021000                | 1 NF 2,5 2222 630 51 102        | * 1 NF 2,5 2222 630 51 102        | COGECO                               | 1          |
| C -012           | 3600070000                | 5.5/65PF JAUNE 2222 808 32659   | * 5.5/65PF YELLOW 2222 808 32659  | RTC(CO10)                            | 1          |
| C -013           | 3600150000                | 1.4/5,5PF GRISE CO10 808-11558  | * 1.4/5,5PF GREY CO10 808-11558   | RTC(CO10)                            | 1          |
| C -014           | 3700180000                | 22MMF/16V 5,08 ... STAND L TAG  | * 22MMF/16V 5,08 ... STAND L TAG  | STC                                  | 1          |
| C -015           | 3700180000                | 22MMF/16V 5,08 ... STAND L TAG  | * 22MMF/16V 5,08 ... STAND L TAG  | STC                                  | 1          |
| C -016           | 3224220000                | 0,22MMF 15(10X40V)POLYC CK868   | * 0,22MMF 15(10X40V)POLYC CK868   | GAM                                  | 1          |
| C -017           | 3232470000                | 4700PF 10(10X400V)222236855472  | * 4700PF 10(10X400V)222236855472  | COGECO                               | 1          |
| C -018           | 3700180000                | 22MMF/16V 5,08 ... STAND L TAG  | * 22MMF/16V 5,08 ... STAND L TAG  | STC                                  | 1          |
| C -019           | 3233330000                | 33NF 10(10X250V)222236845333    | * 33NF 10(10X250V)222236845333    | COGECO                               | 1          |
| C -020           | 3120001800                | 18PF 2,5 'J' 2222 680 10 189    | * 18PF 2,5 'J' 2222 680 10 189    | COGECO                               | 1          |
| C -021           | 3100000000                | CONDENS CERAMIQUE A AJUSTER     | * CERAMIC CAPACITORS TO ADJUST    | ADRET                                | 1          |
| C -022           | 3120021000                | 1 NF 2,5 2222 630 51 102        | * 1 NF 2,5 2222 630 51 102        | COGECO                               | 1          |
| C -023           | 3120003300                | 33PF 2,5 2222 680 10 339        | * 33PF 2,5 2222 680 10 339        | COGECO                               | 1          |
| C -024           | 3120021000                | 1 NF 2,5 2222 630 51 102        | * 1 NF 2,5 2222 630 51 102        | COGECO                               | 1          |
| C -025           | 3700180000                | 22MMF/16V 5,08 ... STAND L TAG  | * 22MMF/16V 5,08 ... STAND L TAG  | STC                                  | 1          |
| C -026           | 3700180000                | 22MMF/16V 5,08 ... STAND L TAG  | * 22MMF/16V 5,08 ... STAND L TAG  | STC                                  | 1          |
| C -027           | 3700180000                | 22MMF/16V 5,08 ... STAND L TAG  | * 22MMF/16V 5,08 ... STAND L TAG  | STC                                  | 1          |
| D -001           | 4500310000                | 1 N 4448                        | * 1 N 4448                        | ITT                                  | 1          |
| D -002           | 4600050000                | ZPD 6,2                         | * ZPD 6,2                         | ITT                                  | 1          |
| D -003           | 4500452200                | BB 409 ENTRE 9&11,5PF A 11V CE  | * BB 409 INPUT 9&11.5PF A 11V IC  | ADRET C.ENTREE.                      | 1          |
| D -004           | 4500310000                | 1 N 4448                        | * 1 N 4448                        | ITT                                  | 1          |
| D -005           | 4500310000                | 1 N 4448                        | * 1 N 4448                        | ITT                                  | 1          |
| Q -001           | 4300050000                | 2N2369 A                        | * 2N2369 A                        | MOTOROLA                             | 1          |
| Q -002           | 4300050000                | 2N2369 A                        | * 2N2369 A                        | MOTOROLA                             | 1          |
| Q -003           | 4300190000                | BC550C /414C/413C/549C(BC184C)  | * BC550C /414C/413C/549C(BC184C)  | RTC                                  | 1          |
| Q -004           | 4300110000                | BC560C /416C/415C/559C(BC214C)  | * BC560C /413C/415C/559C(BC214C)  | RTC                                  | 1          |
| Q -005           | 4300190000                | BC550C /414C/413C/549C(BC184C)  | * BC550C /414C/413C/549C(BC184C)  | RTC                                  | 1          |
| Q -006           | 4300050000                | 2N2369 A                        | * 2N2369 A                        | MOTOROLA                             | 1          |
| Q -007           | 4300050000                | 2N2369 A                        | * 2N2369 A                        | MOTOROLA                             | 1          |
| Q -008           | 4400080000                | 2N4416                          | * 2N4416                          | PURCHASE CODE *930849                | 1          |
| Q -009           | 4300110000                | BC560C /416C/415C/559C(BC214C)  | * BC560C /413C/415C/559C(BC214C)  | RTC                                  | 1          |
| R -001           | 2210005100                | 51R 5% N4                       | * 51R 5% N4                       | SOUCOR                               | 1          |
| R -002           | 2210031500                | 15K 5% N4                       | * 15K 5% N4                       | SOUCOR                               | 1          |
| R -003           | 2210004700                | 47R 5% N4                       | * 47R 5% N4                       | SOUCOR                               | 1          |
| R -004           | 2210021000                | 1K0 5% N4                       | * 1K0 5% N4                       | SOUCOR                               | 1          |
| R -005           | 2210031500                | 15K 5% N4                       | * 15K 5% N4                       | SOUCOR                               | 1          |
| R -006           | 2210022200                | 2K2 5% N4                       | * 2K2 5% N4                       | SOUCOR                               | 1          |
| R -007           | 2210012200                | 220R 5% N4                      | * 220R 5% N4                      | SOUCOR                               | 1          |
| R -008           | 2210023300                | 3K3 5% N4                       | * 3K3 5% N4                       | SOUCOR                               | 1          |
| R -009           | 2210031000                | 10K 5% N4                       | * 10K 5% N4                       | SOUCOR                               | 1          |
| R -010           | 2210023300                | 3K3 5% N4                       | * 3K3 5% N4                       | SOUCOR                               | 1          |
| R -011           | 2210012700                | 270R 5% N4                      | * 270R 5% N4                      | SOUCOR                               | 1          |
| R -012           | 2210011500                | 150R 5% N4                      | * 150R 5% N4                      | SOUCOR                               | 1          |
| R -013           | 2210022200                | 2K2 5% N4                       | * 2K2 5% N4                       | SOUCOR                               | 1          |
| R -014           | 2210022200                | 2K2 5% N4                       | * 2K2 5% N4                       | SOUCOR                               | 1          |
| R -015           | 2210031000                | 10K 5% N4                       | * 10K 5% N4                       | SOUCOR                               | 1          |
| R -016           | 2210021800                | 1K8 5% N4                       | * 1K8 5% N4                       | SOUCOR                               | 1          |
| R -017           | 2200031000                | 10K 5% N4                       | * 10K 5% N4                       | SOUCOR                               | 1          |
| R -018           | 2210013300                | 330R 5% N4                      | * 330R 5% N4                      | SOUCOR                               | 1          |
| R -019           | 2210011200                | 120R 5% N4                      | * 120R 5% N4                      | SOUCOR                               | 1          |
| R -020           | 2210021200                | 1K2 5% N4                       | * 1K2 5% N4                       | SOUCOR                               | 1          |
| R -021           | 2210025600                | 5K6 5% N4                       | * 5K6 5% N4                       | SOUCOR                               | 1          |
| R -022           | 2210041000                | 100K 5% N4                      | * 100K 5% N4                      | SOUCOR                               | 1          |
| R -023           | 2210004700                | 47R 5% N4                       | * 47R 5% N4                       | SOUCOR                               | 1          |
| R -024           | 2210024700                | 4K7 5% N4                       | * 4K7 5% N4                       | SOUCOR                               | 1          |
| R -025           | 2210022200                | 2K2 5% N4                       | * 2K2 5% N4                       | SOUCOR                               | 1          |
| R -026           | 2210032200                | 22K 5% N4                       | * 22K 5% N4                       | SOUCOR                               | 1          |
| R -027           | 2210021000                | 1K0 5% N4                       | * 1K0 5% N4                       | SOUCOR                               | 1          |
| R -028           | 2210031000                | 10K 5% N4                       | * 10K 5% N4                       | SOUCOR                               | 1          |
| R -029           | 2210031500                | 15K 5% N4                       | * 15K 5% N4                       | SOUCOR                               | 1          |
| R -030           | 2210031500                | 15K 5% N4                       | * 15K 5% N4                       | SOUCOR                               | 1          |
| R -031           | 2210023300                | 3K3 5% N4                       | * 3K3 5% N4                       | SOUCOR                               | 1          |
| R -032           | 2210024700                | 4K7 5% N4                       | * 4K7 5% N4                       | SOUCOR                               | 1          |
| R -033           | 2210031000                | 10K 5% N4                       | * 10K 5% N4                       | SOUCOR                               | 1          |
| R -034           | 2210005600                | 56R 5% N4                       | * 56R 5% N4                       | SOUCOR                               | 1          |
| R -035           | 2210005100                | 51R 5% N4                       | * 51R 5% N4                       | SOUCOR                               | 1          |
| R -036           | 2210031000                | 10K 5% N4                       | * 10K 5% N4                       | SOUCOR                               | 1          |
| R -037           | 2210034700                | 47K 5% N4                       | * 47K 5% N4                       | SOUCOR                               | 1          |

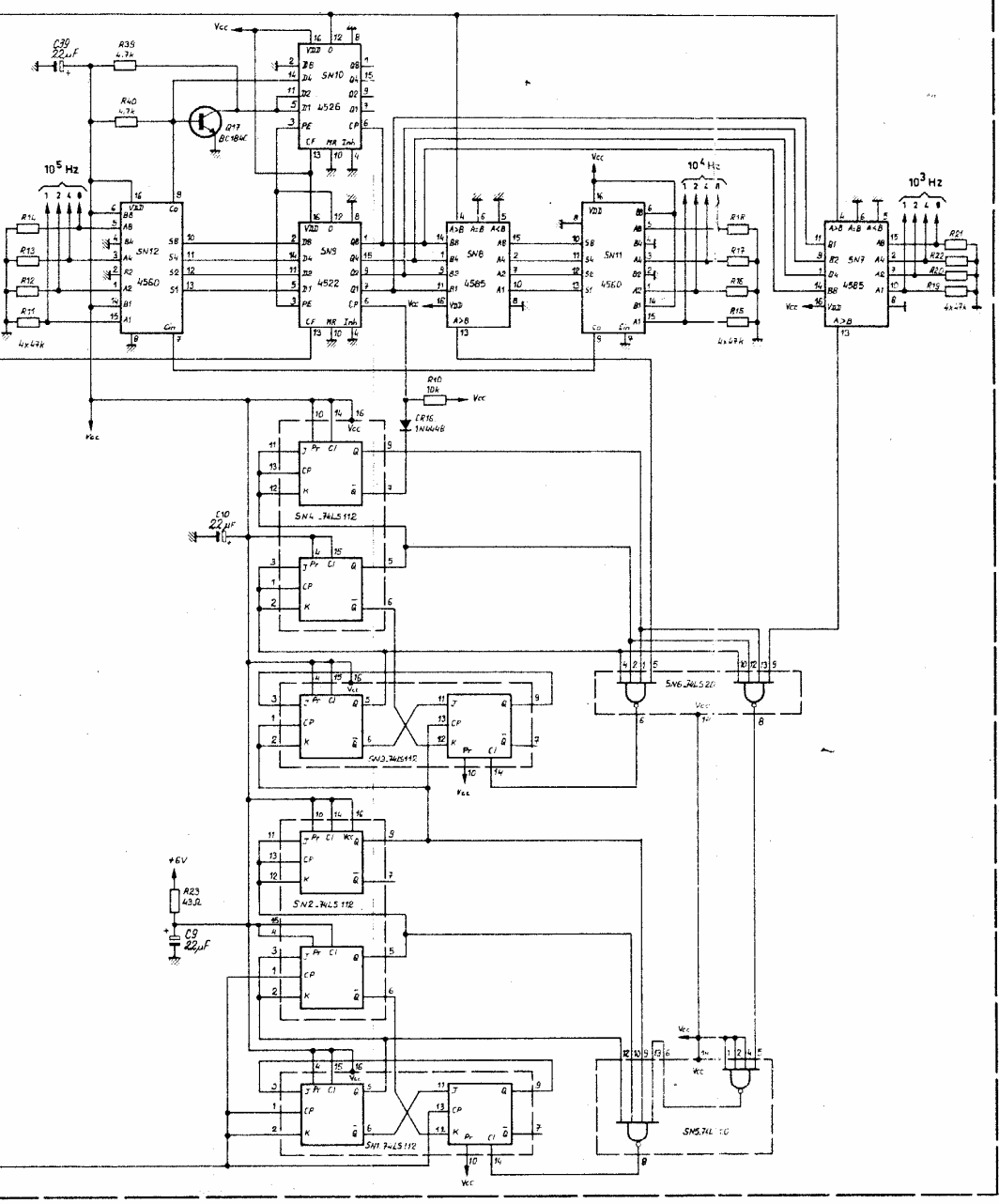
| REPERE INDEXE | REF. ADRET PART NUMBER | DESCRIPTION                    | PART DESCRIPTION                  | FOURNISSEUR/PLAN SUPPLIER/DRAWING | QTE QTY |
|---------------|------------------------|--------------------------------|-----------------------------------|-----------------------------------|---------|
| R -038        | 2210034700             | 47K                            | 5% N4 * 47K                       | 5% N4 SOUCOR                      | 1       |
| R -039        | 2210034700             | 47K                            | 5% N4 * 47K                       | 5% N4 SOUCOR                      | 1       |
| R -040        | 2210034700             | 47K                            | 5% N4 * 47K                       | 5% N4 SOUCOR                      | 1       |
| R -041        | 2210034700             | 47K                            | 5% N4 * 47K                       | 5% N4 SOUCOR                      | 1       |
| R -042        | 2210034700             | 47K                            | 5% N4 * 47K                       | 5% N4 SOUCOR                      | 1       |
| R -043        | 2210034700             | 47K                            | 5% N4 * 47K                       | 5% N4 SOUCOR                      | 1       |
| R -044        | 2210034700             | 47K                            | 5% N4 * 47K                       | 5% N4 SOUCOR                      | 1       |
| R -045        | 2210034700             | 47K                            | 5% N4 * 47K                       | 5% N4 SOUCOR                      | 1       |
| R -046        | 2210034700             | 47K                            | 5% N4 * 47K                       | 5% N4 SOUCOR                      | 1       |
| R -047        | 2210034700             | 47K                            | 5% N4 * 47K                       | 5% N4 SOUCOR                      | 1       |
| R -048        | 2210034700             | 47K                            | 5% N4 * 47K                       | 5% N4 SOUCOR                      | 1       |
| SN -001       | 4150740200             | SN 74 LS 02 N 3                | * SN 74 LS 02 N 3                 | TEXAS                             | 1       |
| SN -002       | 4150749000             | SN 74 LS 90 N 3                | * SN 74 LS 90 N 3                 | TEXAS                             | 1       |
| SN -003       | 4160451800             | C-MOS 4518                     | * C-MOS 4518                      | RTC                               | 1       |
| SN -004       | 4160451800             | C-MOS 4518                     | * C-MOS 4518                      | RTC                               | 1       |
| SN -005       | 4160402700             | C-MOS 4027                     | * C-MOS 4027                      | RTC                               | 1       |
| SN -006       | 4160402300             | C-MOS 4023                     | * C-MOS 4023                      | RTC                               | 1       |
| SN -007       | 4150740000             | SN 74 LS 00 N 3                | * SN 74 LS 00 N 3                 | TEXAS                             | 1       |
| SN -008       | 4150749000             | SN 74 LS 90 N 3                | * SN 74 LS 90 N 3                 | TEXAS                             | 1       |
| SN -009       | 4160451800             | C-MOS 4518                     | * C-MOS 4518                      | RTC                               | 1       |
| SN -010       | 4157411200             | SN 74 LS 112 N                 | * SN 74 LS 112 N                  | 'FU' TEXAS                        | 1       |
| SN -011       | 4157411200             | SN 74 LS 112 N                 | * SN 74 LS 112 N                  | 'FU' TEXAS                        | 1       |
| SN -012       | 4157411200             | SN 74 LS 112 N                 | * SN 74 LS 112 N                  | 'FU' TEXAS                        | 1       |
| SN -013       | 4157411200             | SN 74 LS 112 N                 | * SN 74 LS 112 N                  | 'FU' TEXAS                        | 1       |
| SN -014       | 4150742000             | SN 74 LS 20 N 3                | * SN 74 LS 20 N 3                 | TEXAS                             | 1       |
| SN -015       | 4150742000             | SN 74 LS 20 N 3                | * SN 74 LS 20 N 3                 | TEXAS                             | 1       |
| SN -016       | 4160458500             | C-MOS 4585                     | * C-MOS 4585                      | 'FU' RTC                          | 1       |
| SN -017       | 4160458500             | C-MOS 4585                     | * C-MOS 4585                      | 'FU' RTC                          | 1       |
| SN -018       | 4160452200             | C-MOS 4522                     | * C-MOS 4522                      | RTC                               | 1       |
| SN -019       | 4160452600             | C-MOS 4526                     | * C-MOS 4526                      | RTC                               | 1       |
| T -001        | 0218250000             | 00 F2 38X6 SPIRES ..... 2230A  | * 00 F2 38X6 TURNS ..... 2230A    | Z94 F2.....4H                     | 1       |
| T -002        | 0217990000             | 00 F10B 13+13 ..... 2200A      | * 00 F10B 13+13 TURNS ..... 2200A | Z94 F10B.....26                   | 1       |
| Y -001        | 5100550000             | QUARTZ 5 MHZ . REF JJ05E QC36  | * 5 MHZ CRYSTAL . REF JJ05E QC36  | HYQ                               | 1       |
| Z0            | 0206780000             | 00 ETIQUETTE 6905 ..... 2230A  | * 00 LABEL 6905 ..... 2230A       | 942375.....                       | 1       |
| Z1            | 1100010000             | FIL NOIR ..... KY30-04         | * BLACK THREAD ..... KY30-04      | FILECA                            | 0       |
| Z1            | 1100030000             | FIL ROUGE ..... KY30-04        | * RED THREAD ..... KY30-04        | FILECA                            | 0       |
| Z1            | 1100430000             | COAX KX 21 A                   | * COAX KX 21 A                    | FILECA                            | 0       |
| Z1            | 1100530000             | FIL.NU.ETAME.6/10              | * TINNED BARE THREAD 6/10         | ELECTROFIL                        | 0       |
| Z1            | 1269050700             | CI 1 GENERATION ..... 2230A    | * PC 1 GENERATION ..... 2230A     | K996905.....TM                    | 1       |
| Z1            | 1269950000             | CI SUPPORT QUARTZ 1'GENE 2200A | * PC BASE QUARTZ 1'GENERAT 2200A  | A996995                           | 1       |
| Z1            | 1300600000             | SOUPLISSO 1X1.2 COUL. NATUREL  | * SPAGHETTI 1X1.2 GRAY COLORED    | HABIA                             | 0       |
| Z1            | 1400109900             | POINT TEST                     | * TEST POINT                      | C940850                           | 12      |
| Z1            | 1900200000             | EXTRACTEUR DE CARTE'ELEVATEUR' | * BOARD EXTRACTOR 'LIFTER' ....   | TRELEC                            | 2       |
| Z4            | 4900250000             | ENTRETOISE T018-019D           | * SPACER T018-019D                | JERMYN                            | 4       |
| Z5            | 5100060000             | SUPPORT DE QUARTZ REF SQ2Z VFA | * CRYSTAL SUPPORT REF SQ2Z VFA    | UMD                               | 1       |
| Z5            | 5100090000             | CLIPS POUR QUARTZ SQ           | * CLIPS FOR CRYSTAL SQ            | UMD                               | 1       |
| Z5            | 5400050000             | CALE ISOLANTE NEOSID POUR CI   | * NEOSID INSULATING QUOIN FOR PC  | -940008                           | 2       |
| Z6            | 6130121000             | LAD 2 X10 CYLINDRIQUE FENDUE   | * LAD 2 X10 CYLINDRIQUE FENDUE    | SAGIC                             | 1       |
| Z6            | 6200020000             | ECROU H M2 U NF E27-411-5 INOX | * NUT H M2 U NF E27-411-5 INOX    | BD                                | 1       |
| Z6            | 6300031000             | 3.2X 7X 1 PLATE ..... INOX     | * 3.2X 7X 1 FLAT ..... INOX       | BD                                | 1       |
| Z6            | 6301020000             | DI 2 EVENTAIL NFE 27-618 INOX  | * STEEL 2 FAN NFE 27-618 INOX     | BD                                | 1       |
| Z6            | 6400040000             | RIVET D 3 L 5 REF 3050         | * RIVET D 3 L 5 REF 3050          | MFOM                              | 1       |
| Z6            | 6400280000             | PLOT A FOURCHE SOUDE . BFMQ13C | * SOLDERED FORK CONTACT BFMQ13C   | COMATEL                           | 2       |
| Z6            | 6400510000             | EQUERRE 10X10 LARG 10 EP 1     | * ANGLEBRACKET10X10 WIDTH10 EP 1  | A943051                           | 1       |
| Z6            | 6400530000             | OEUILLER LAITON N° 2070        | * FIXING EYELET BRASS .. N° 2070  | MFOM                              | 2       |
| Z6            | 6400710000             | BUS-BARRE PAS 12.7             | * BUS-BAR STEP 12.7               | SEEM                              | 0       |
| Z8            | 8000290000             | BLINDAGE POUR NEOSID           | * SHIELDING FOR NEOSID            | B940048                           | 1       |







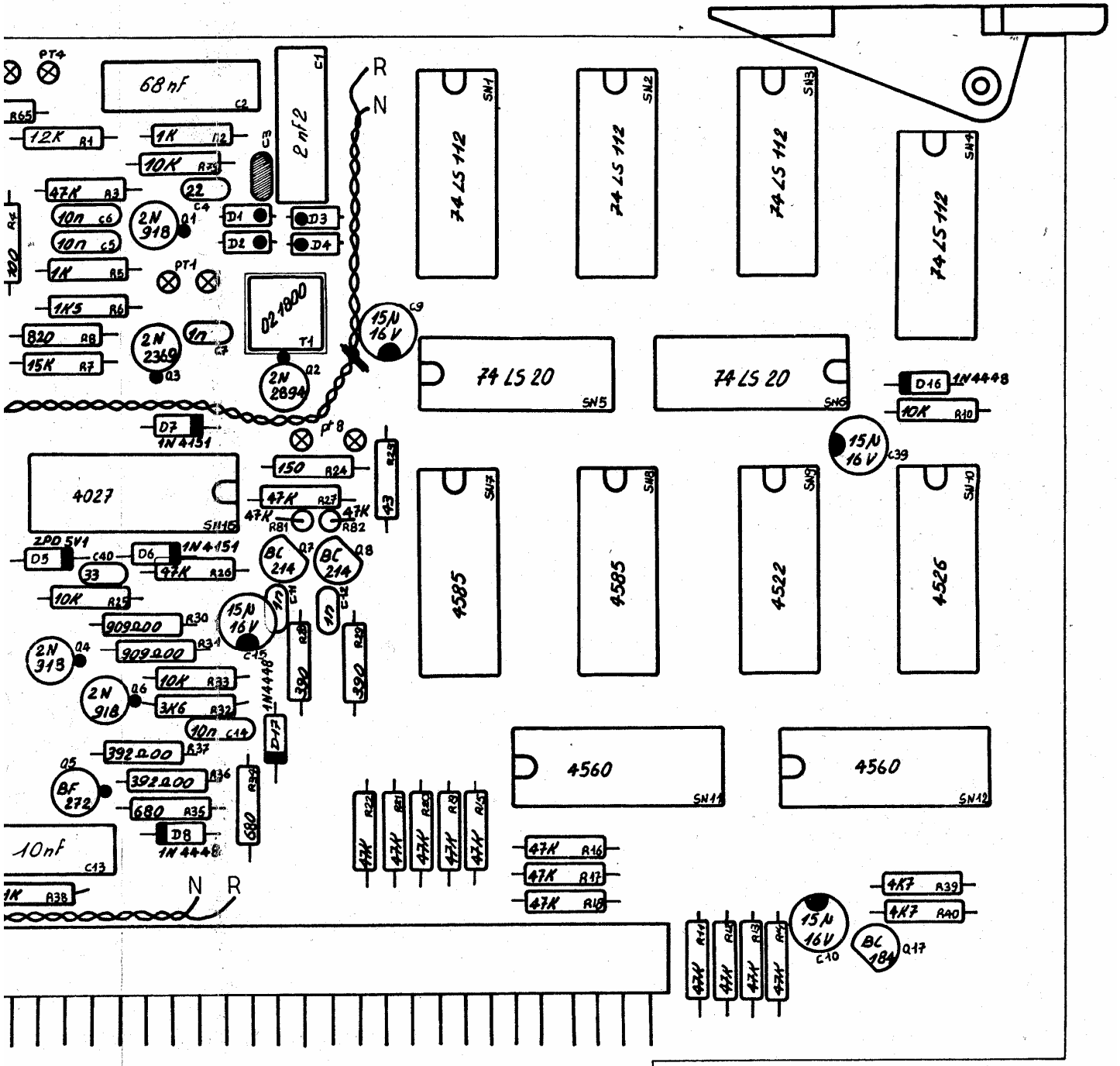
**DP2 DIVISEUR PROGRAMMABLE  
PROGRAMMABLE DIVIDER**



\* Ajusté en fabrication  
Factory adjusted

|   |        |                           |   |
|---|--------|---------------------------|---|
| Ce document ne peut être communiqué<br>ou reproduit sans autorisation |        | <b>edrat électronique</b> | DATE: JUILLET 1978  |
| ETUDE   | DESSIN | VERIFIE                   | 2230 A  |
| ACORT   | H.V.   |                           | GENERATION 10 <sup>3</sup> Hz. 10 <sup>4</sup> Hz. 10 <sup>5</sup> Hz |
|   |        | PAGE: 1 / 1               |   |
|   |        | 976906E                   |   |



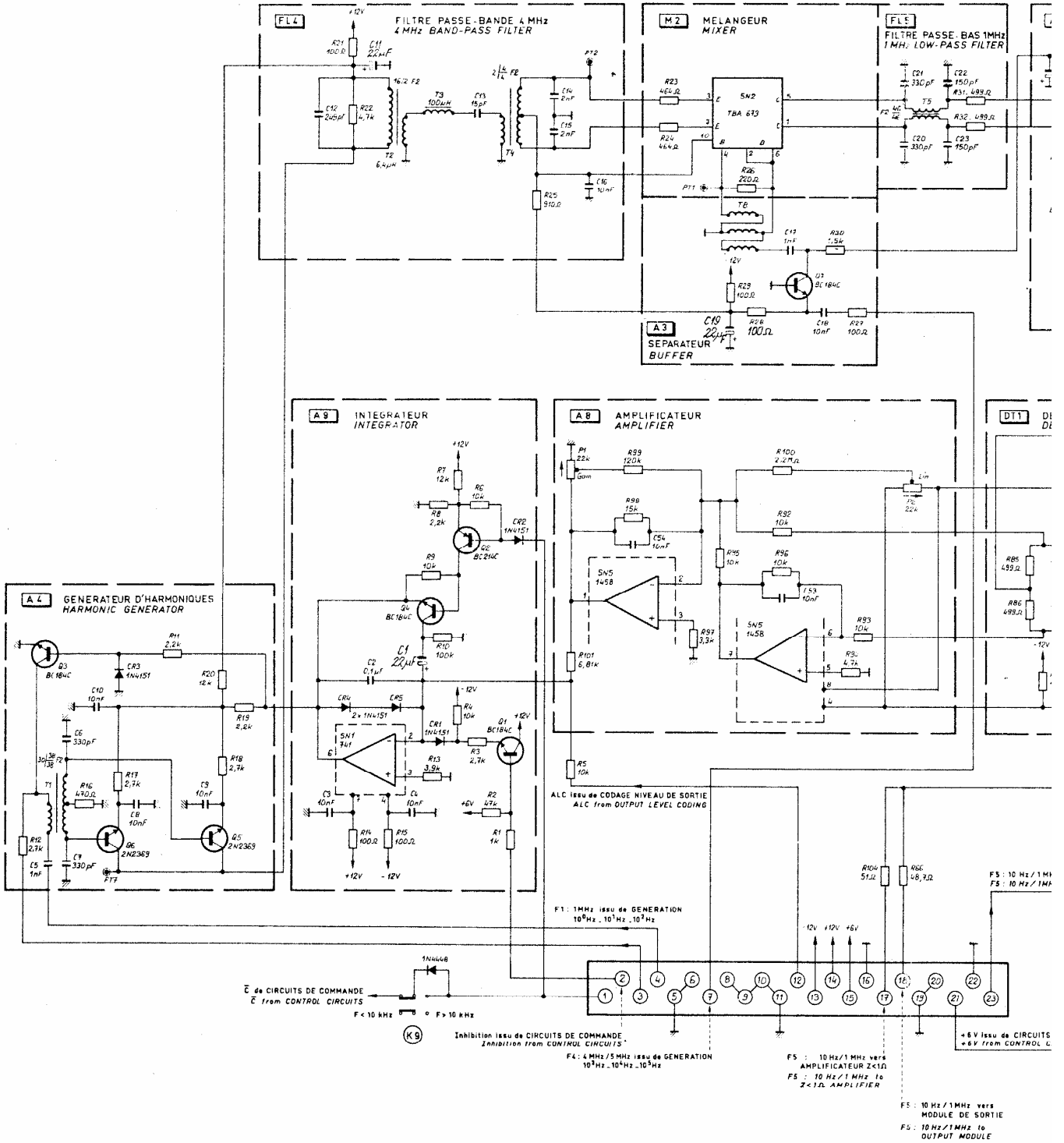


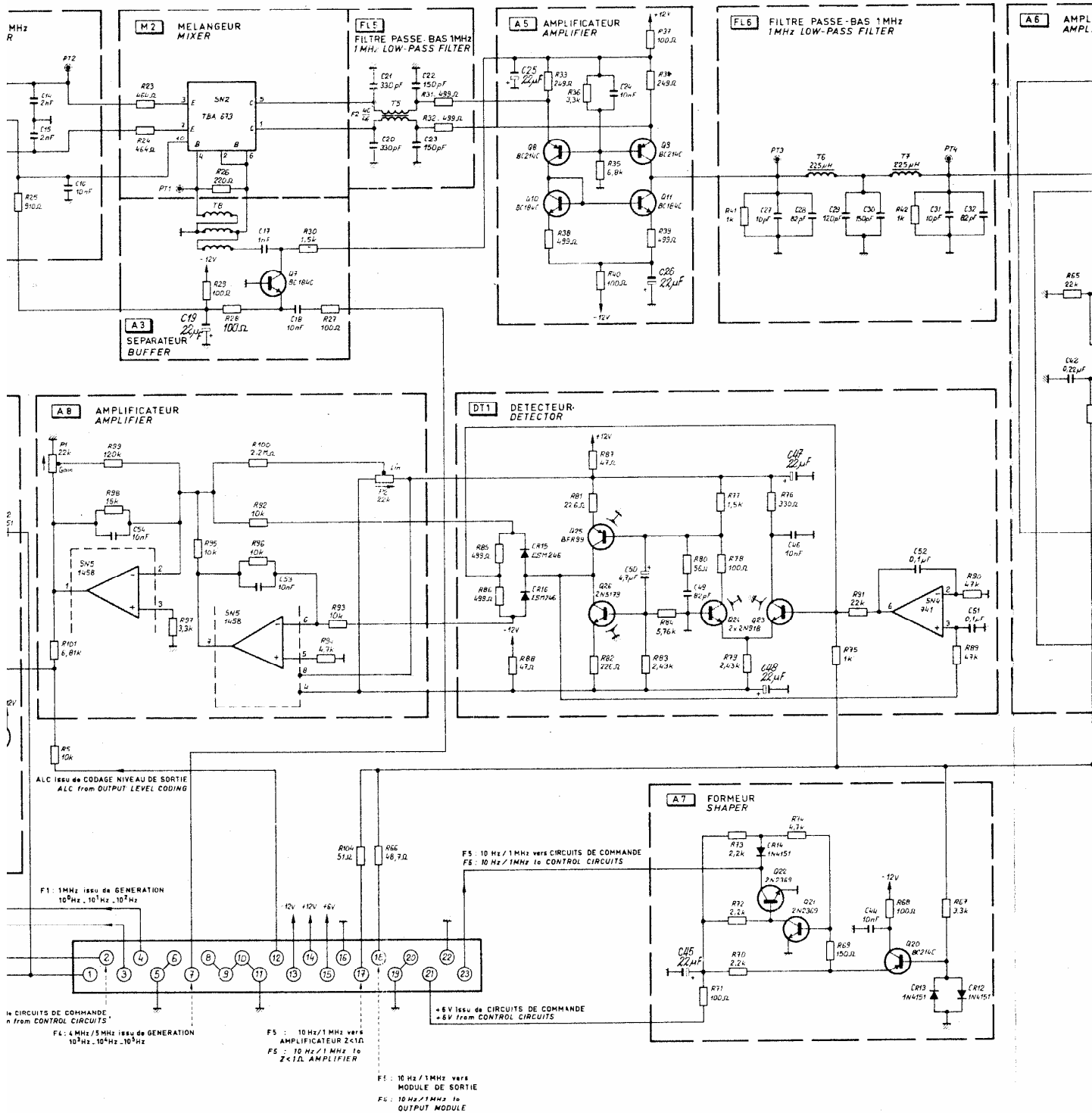
| REPERE INDEXE | REF. ADRET PART NUMBER | DESCRIPTION                     | PART DESCRIPTION                | FOURNISSEUR/PLAN SUPPLIER/DRAWING | QTE QTY |
|---------------|------------------------|---------------------------------|---------------------------------|-----------------------------------|---------|
| B -001        | 1427011600             | TM 27 MCIG ..... MALE*CARTE*    | TM 27 MCIG ..... MALE           | TRELEC                            | 1       |
| C -001        | 3232220000             | 2200PF 10(10X400V)222236855222  | 2200PF 10(10X400V)222236855222  | COGECO                            | 1       |
| C -002        | 3233680000             | 68NF 10(10X250V)222236845368    | 68NF 10(10X250V)222236845368    | COGECO                            | 1       |
| C -003        | 3100000000             | CONDENS CERAMIQUE A AJUSTER     | CERAMIC CAPACITORS TO ADJUST    | ADRET                             | 1       |
| C -004        | 3120002200             | 22PF 2,5 'K' 2222 680 10 229    | 22PF 2,5 'K' 2222 680 10 229    | COGECO                            | 1       |
| C -005        | 3150031000             | 10NF 5,08 63V GOX 767 14        | 10NF 5,08 63V GOX 767 14        | LCC                               | 1       |
| C -006        | 3150031000             | 10NF 5,08 63V GOX 767 14        | 10NF 5,08 63V GOX 767 14        | LCC                               | 1       |
| C -007        | 3120021000             | 1 NF 2,5 2222 630 51 102        | 1 NF 2,5 2222 630 51 102        | COGECO                            | 1       |
| C -008        | 3700180000             | 22MMF/16V 5,08 ... STAND L TAG  | 22MMF/16V 5,08 ... STAND L TAG  | STC                               | 1       |
| C -009        | 3700180000             | 22MMF/16V 5,08 ... STAND L TAG  | 22MMF/16V 5,08 ... STAND L TAG  | STC                               | 1       |
| C -010        | 3700180000             | 22MMF/16V 5,08 ... STAND L TAG  | 22MMF/16V 5,08 ... STAND L TAG  | STC                               | 1       |
| C -011        | 3120021000             | 1 NF 2,5 2222 630 51 102        | 1 NF 2,5 2222 630 51 102        | COGECO                            | 1       |
| C -012        | 3120021000             | 1 NF 2,5 2222 630 51 102        | 1 NF 2,5 2222 630 51 102        | COGECO                            | 1       |
| C -013        | 3233100000             | 10NF 10(10X400V)222236855103    | 10NF 10(10X400V)222236855103    | COGECO                            | 1       |
| C -014        | 3150031000             | 10NF 5,08 63V GOX 767 14        | 10NF 5,08 63V GOX 767 14        | LCC                               | 1       |
| C -015        | 3700180000             | 22MMF/16V 5,08 ... STAND L TAG  | 22MMF/16V 5,08 ... STAND L TAG  | STC                               | 1       |
| C -016        | 3700180000             | 22MMF/16V 5,08 ... STAND L TAG  | 22MMF/16V 5,08 ... STAND L TAG  | STC                               | 1       |
| C -017        | 3120008200             | 82PF 2,5 2222 680 10 829        | 82PF 2,5 2222 680 10 829        | COGECO                            | 1       |
| C -018        | 3120008200             | 82PF 2,5 2222 680 10 829        | 82PF 2,5 2222 680 10 829        | COGECO                            | 1       |
| C -019        | 3120008200             | 82PF 2,5 2222 680 10 829        | 82PF 2,5 2222 680 10 829        | COGECO                            | 1       |
| C -020        | 3120008200             | 82PF 2,5 2222 680 10 829        | 82PF 2,5 2222 680 10 829        | COGECO                            | 1       |
| C -021        | 3120008200             | 82PF 2,5 2222 680 10 829        | 82PF 2,5 2222 680 10 829        | COGECO                            | 1       |
| C -022        | 3120008200             | 82PF 2,5 2222 680 10 829        | 82PF 2,5 2222 680 10 829        | COGECO                            | 1       |
| C -023        | 3150031000             | 10NF 5,08 63V GOX 767 14        | 10NF 5,08 63V GOX 767 14        | LCC                               | 1       |
| C -024        | 3233470000             | 47NF 10(10X250V)222236845473    | 47NF 10(10X250V)222236845473    | COGECO                            | 1       |
| C -025        | 3700180000             | 22MMF/16V 5,08 ... STAND L TAG  | 22MMF/16V 5,08 ... STAND L TAG  | STC                               | 1       |
| C -026        | 3120021000             | 1 NF 2,5 2222 630 51 102        | 1 NF 2,5 2222 630 51 102        | COGECO                            | 1       |
| C -027        | 3224220200             | 0,22MMF 10,2 10X 40V CKM501     | 0,22MMF 10,2 10X 40V CKM501     | EUROFARAD                         | 1       |
| C -028        | 3700080000             | 4,7MMF/10V L9 20% ..... CTS13   | 4,7MMF/10V L9 20% ..... CTS13   | SPRAGUE                           | 1       |
| C -029        | 3120002200             | 22PF 2,5 'K' 2222 680 10 229    | 22PF 2,5 'K' 2222 680 10 229    | COGECO                            | 1       |
| C -030        | 3100000000             | CONDENS CERAMIQUE A AJUSTER     | CERAMIC CAPACITORS TO ADJUST    | ADRET                             | 1       |
| C -031        | 3150031000             | 10NF 5,08 63V GOX 767 14        | 10NF 5,08 63V GOX 767 14        | LCC                               | 1       |
| C -032        | 3150031000             | 10NF 5,08 63V GOX 767 14        | 10NF 5,08 63V GOX 767 14        | LCC                               | 1       |
| C -033        | 3120021000             | 1 NF 2,5 2222 630 51 102        | 1 NF 2,5 2222 630 51 102        | COGECO                            | 1       |
| C -034        | 3700180000             | 22MMF/16V 5,08 ... STAND L TAG  | 22MMF/16V 5,08 ... STAND L TAG  | STC                               | 1       |
| C -035        | 3120011800             | 180PF 2,5 'N18' 2222 680 58 181 | 180PF 2,5 'N18' 2222 680 58 181 | COGECO                            | 1       |
| C -036        | 3120021000             | 1 NF 2,5 2222 630 51 102        | 1 NF 2,5 2222 630 51 102        | COGECO                            | 1       |
| C -037        | 3120003900             | 39PF 2,5 2222 680 10 399        | 39PF 2,5 2222 680 10 399        | COGECO                            | 1       |
| C -038        | 3100000000             | CONDENS CERAMIQUE A AJUSTER     | CERAMIC CAPACITORS TO ADJUST    | ADRET                             | 1       |
| C -039        | 3700180000             | 22MMF/16V 5,08 ... STAND L TAG  | 22MMF/16V 5,08 ... STAND L TAG  | STC                               | 1       |
| C -040        | 3120003300             | 33PF 2,5 2222 680 10 339        | 33PF 2,5 2222 680 10 339        | COGECO                            | 1       |
| C -041        | 3120011000             | 100PF 2,5 'N10' 2222 680 58 101 | 100PF 2,5 'N10' 2222 680 58 101 | COGECO                            | 1       |
| D -001        | 0206520000             | 00 8XBB 409 D1&D4&D11&D14 2230  | 00 8XBB 409 D1&D4&D11&D14 2230  | ADRET 8/SACHET                    | 1       |
| D -005        | 4600030000             | ZPD5,1                          | ZPD5,1                          | ITT                               | 1       |
| D -006        | 4500020000             | 1N4151                          | 1N4151                          | FU'ITT'                           | 1       |
| D -007        | 4500020000             | 1N4151                          | 1N4151                          | FU'ITT'                           | 1       |
| D -008        | 4500310000             | 1 N 4448                        | 1 N 4448                        | ITT                               | 1       |
| D -009        | 4500310000             | 1 N 4448                        | 1 N 4448                        | ITT                               | 1       |
| D -010        | 4500310000             | 1 N 4448                        | 1 N 4448                        | ITT                               | 1       |
| D -015        | 4600030000             | ZPD5,1                          | ZPD5,1                          | ITT                               | 1       |
| D -016        | 4500310000             | 1 N 4448                        | 1 N 4448                        | ITT                               | 1       |
| D -017        | 4500310000             | 1 N 4448                        | 1 N 4448                        | ITT                               | 1       |
| Q -001        | 4300040000             | 2 N 918                         | 2 N 918                         | SGS                               | 1       |
| Q -002        | 4300070000             | 2N2894                          | 2N2894                          | MOTOROLA                          | 1       |
| Q -003        | 4300050000             | 2N2369 A                        | 2N2369 A                        | MOTOROLA                          | 1       |
| Q -004        | 4300040000             | 2 N 918                         | 2 N 918                         | SGS                               | 1       |
| Q -005        | 4300610000             | BF 506                          | BF 506                          | MOTOROLA                          | 1       |
| Q -006        | 4300040000             | 2 N 918                         | 2 N 918                         | SGS                               | 1       |
| Q -007        | 4300110000             | BC560C /416C/415C/559C(BC214C)  | BC560C /413C/415C/559C(BC214C)  | RTC                               | 1       |
| Q -008        | 4300110000             | BC560C /416C/415C/559C(BC214C)  | BC560C /413C/415C/559C(BC214C)  | RTC                               | 1       |
| Q -009        | 4300040000             | 2 N 918                         | 2 N 918                         | SGS                               | 1       |
| Q -010        | 4300040000             | 2 N 918                         | 2 N 918                         | SGS                               | 1       |
| Q -011        | 4300610000             | BF 506                          | BF 506                          | MOTOROLA                          | 1       |
| Q -012        | 4300190000             | BC550C /414C/413C/549C(BC184C)  | BC550C /414C/413C/549C(BC184C)  | RTC                               | 1       |
| Q -013        | 4300110000             | BC560C /416C/415C/559C(BC214C)  | BC560C /413C/415C/559C(BC214C)  | RTC                               | 1       |
| Q -014        | 4300040000             | 2 N 918                         | 2 N 918                         | SGS                               | 1       |
| Q -015        | 4300070000             | 2N2894                          | 2N2894                          | MOTOROLA                          | 1       |
| Q -016        | 4300050000             | 2N2369 A                        | 2N2369 A                        | MOTOROLA                          | 1       |
| Q -017        | 4300190000             | BC550C /414C/413C/549C(BC184C)  | BC550C /414C/413C/549C(BC184C)  | RTC                               | 1       |
| R -001        | 2210031200             | 12K 5% N4                       | 12K 5% N4                       | SOUCOR                            | 1       |
| R -002        | 2210021000             | 1K0 5% N4                       | 1K0 5% N4                       | SOUCOR                            | 1       |
| R -003        | 2210034700             | 47K 5% N4                       | 47K 5% N4                       | SOUCOR                            | 1       |
| R -004        | 2210011000             | 100R 5% N4                      | 100R 5% N4                      | SOUCOR                            | 1       |
| R -005        | 2210021000             | 1K0 5% N4                       | 1K0 5% N4                       | SOUCOR                            | 1       |
| R -006        | 2210021500             | 1K5 5% N4                       | 1K5 5% N4                       | SOUCOR                            | 1       |
| R -007        | 2210031500             | 15K 5% N4                       | 15K 5% N4                       | SOUCOR                            | 1       |
| R -008        | 2210018200             | 820R 5% N4                      | 820R 5% N4                      | SOUCOR                            | 1       |
| R -009        | 2210006800             | 68R 5% N4                       | 68R 5% N4                       | SOUCOR                            | 1       |
| R -010        | 2210031000             | 10K 5% N4                       | 10K 5% N4                       | SOUCOR                            | 1       |

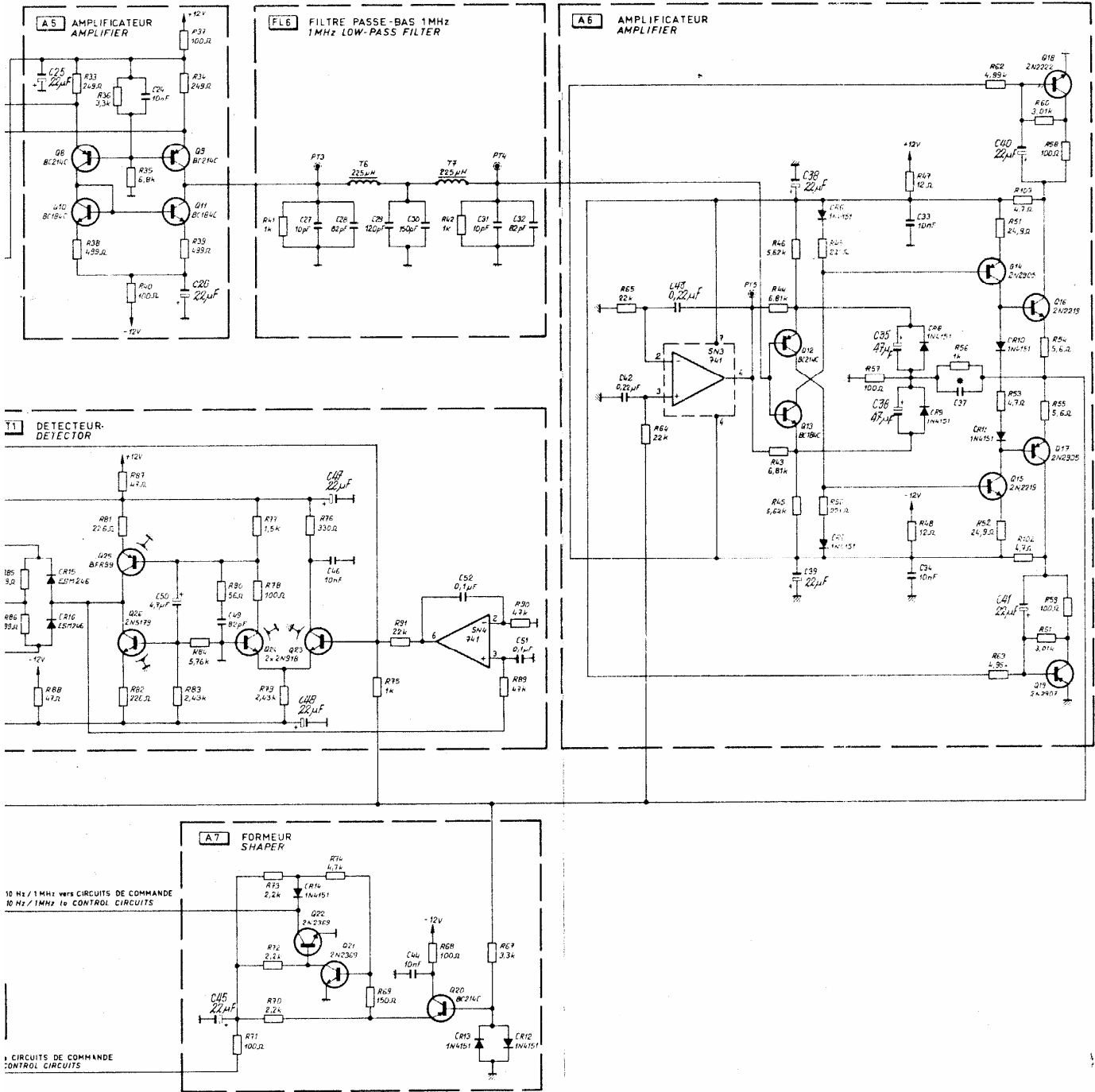


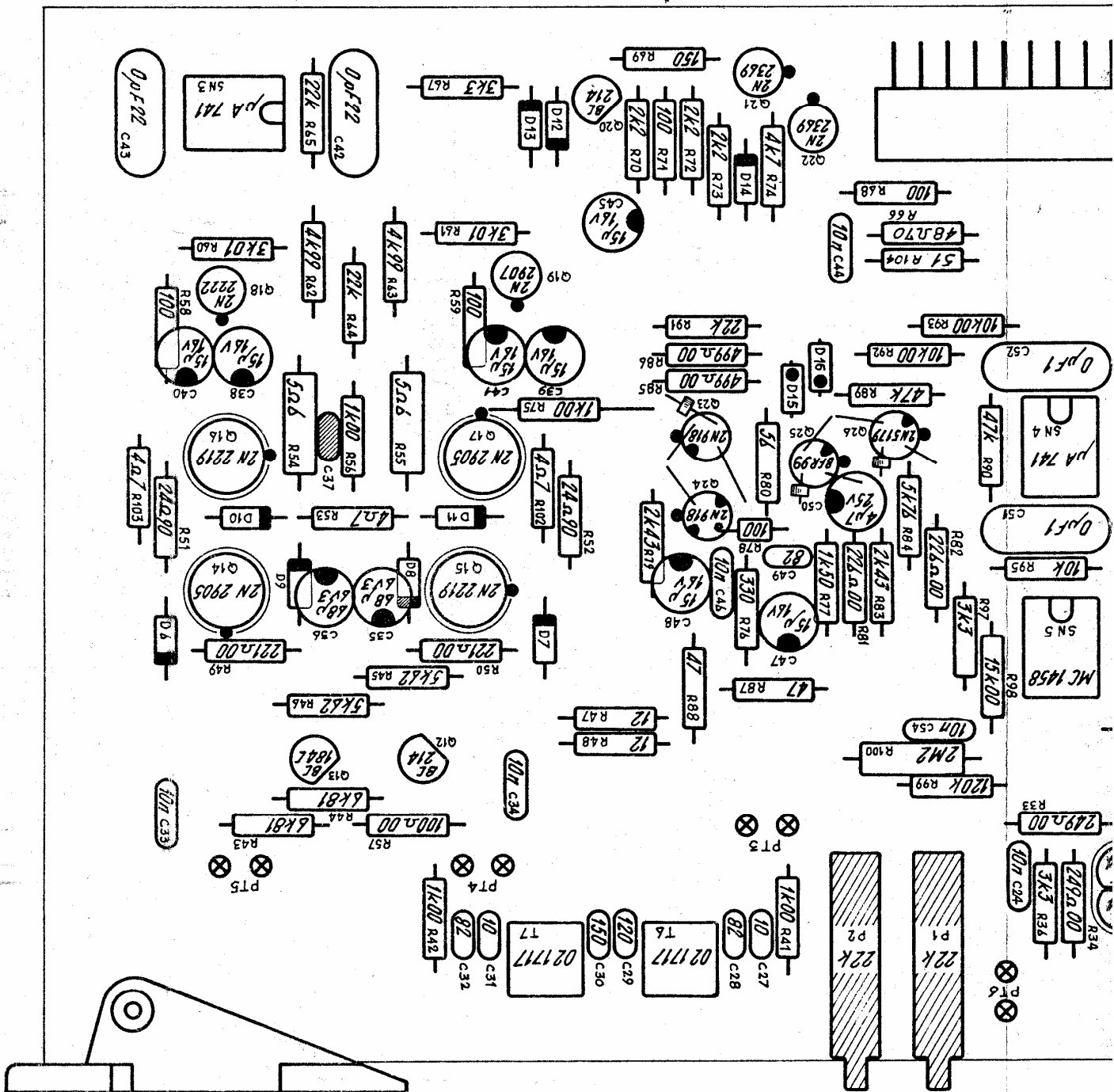
| REPERE INDEXE | REF. ADRET PART NUMBER | DESCRIPTION     | PART DESCRIPTION         | FOURNISSEUR/PLAN SUPPLIER/DRAWING | QTE QTY |
|---------------|------------------------|-----------------|--------------------------|-----------------------------------|---------|
| R -011        | 2210034700             | 47K             | 5X N4 * 47K              | 5X N4 SOUCOR                      | 1       |
| R -012        | 2210034700             | 47K             | 5X N4 * 47K              | 5X N4 SOUCOR                      | 1       |
| R -013        | 2210034700             | 47K             | 5X N4 * 47K              | 5X N4 SOUCOR                      | 1       |
| R -014        | 2210034700             | 47K             | 5X N4 * 47K              | 5X N4 SOUCOR                      | 1       |
| R -015        | 2210034700             | 47K             | 5X N4 * 47K              | 5X N4 SOUCOR                      | 1       |
| R -016        | 2210034700             | 47K             | 5X N4 * 47K              | 5X N4 SOUCOR                      | 1       |
| R -017        | 2210034700             | 47K             | 5X N4 * 47K              | 5X N4 SOUCOR                      | 1       |
| R -018        | 2210034700             | 47K             | 5X N4 * 47K              | 5X N4 SOUCOR                      | 1       |
| R -019        | 2210034700             | 47K             | 5X N4 * 47K              | 5X N4 SOUCOR                      | 1       |
| R -020        | 2210034700             | 47K             | 5X N4 * 47K              | 5X N4 SOUCOR                      | 1       |
| R -021        | 2210034700             | 47K             | 5X N4 * 47K              | 5X N4 SOUCOR                      | 1       |
| R -022        | 2210034700             | 47K             | 5X N4 * 47K              | 5X N4 SOUCOR                      | 1       |
| R -023        | 221004300              | 43R             | 5X N4 * 43R              | 5X N4 SOUCOR                      | 1       |
| R -024        | 2210011500             | 150R            | 5X N4 * 150R             | 5X N4 SOUCOR                      | 1       |
| R -025        | 2210031000             | 10K             | 5X N4 * 10K              | 5X N4 SOUCOR                      | 1       |
| R -026        | 2210034700             | 47K             | 5X N4 * 47K              | 5X N4 SOUCOR                      | 1       |
| R -027        | 2210034700             | 47K             | 5X N4 * 47K              | 5X N4 SOUCOR                      | 1       |
| R -028        | 2210013900             | 390R            | 5X N4 * 390R             | 5X N4 SOUCOR                      | 1       |
| R -029        | 2210013900             | 390R            | 5X N4 * 390R             | 5X N4 SOUCOR                      | 1       |
| R -030        | 2500090900             | 909R * 1X 0,3 W | SMA207 * 909R * 1X 0,3 W | SMA207 DRALORIC                   | 1       |
| R -031        | 2500090900             | 909R * 1X 0,3 W | SMA207 * 909R * 1X 0,3 W | SMA207 DRALORIC                   | 1       |
| R -032        | 2210023600             | 3K6             | 5X N4 * 3K6              | 5X N4 SOUCOR                      | 1       |
| R -033        | 2210031000             | 10K             | 5X N4 * 10K              | 5X N4 SOUCOR                      | 1       |
| R -034        | 2210016800             | 680R            | 5X N4 * 680R             | 5X N4 SOUCOR                      | 1       |
| R -035        | 2210011200             | 120R            | 5X N4 * 120R             | 5X N4 SOUCOR                      | 1       |
| R -035        | 2210016800             | 680R            | 5X N4 * 680R             | 5X N4 SOUCOR                      | 1       |
| R -036        | 2500039200             | 392R * 1X 0,3 W | SMA207 * 392R * 1X 0,3 W | SMA207 DRALORIC                   | 1       |
| R -037        | 2500039200             | 392R * 1X 0,3 W | SMA207 * 392R * 1X 0,3 W | SMA207 DRALORIC                   | 1       |
| R -038        | 2210021000             | 1K0             | 5X N4 * 1K0              | 5X N4 SOUCOR                      | 1       |
| R -039        | 2210024700             | 4K7             | 5X N4 * 4K7              | 5X N4 SOUCOR                      | 1       |
| R -040        | 2210024700             | 4K7             | 5X N4 * 4K7              | 5X N4 SOUCOR                      | 1       |
| R -041        | 2210023300             | 3K3             | 5X N4 * 3K3              | 5X N4 SOUCOR                      | 1       |
| R -042        | 2210024700             | 4K7             | 5X N4 * 4K7              | 5X N4 SOUCOR                      | 1       |
| R -043        | 2210024700             | 4K7             | 5X N4 * 4K7              | 5X N4 SOUCOR                      | 1       |
| R -044        | 2210024700             | 4K7             | 5X N4 * 4K7              | 5X N4 SOUCOR                      | 1       |
| R -045        | 2210024700             | 4K7             | 5X N4 * 4K7              | 5X N4 SOUCOR                      | 1       |
| R -046        | 2210023300             | 3K3             | 5X N4 * 3K3              | 5X N4 SOUCOR                      | 1       |
| R -047        | 2210024700             | 4K7             | 5X N4 * 4K7              | 5X N4 SOUCOR                      | 1       |
| R -048        | 2210024700             | 4K7             | 5X N4 * 4K7              | 5X N4 SOUCOR                      | 1       |
| R -049        | 2210024700             | 4K7             | 5X N4 * 4K7              | 5X N4 SOUCOR                      | 1       |
| R -050        | 2210024700             | 4K7             | 5X N4 * 4K7              | 5X N4 SOUCOR                      | 1       |
| R -051        | 2210043900             | 390K            | 5X N4 * 390K             | 5X N4 SOUCOR                      | 1       |
| R -052        | 2210043900             | 390K            | 5X N4 * 390K             | 5X N4 SOUCOR                      | 1       |
| R -053        | 2210033300             | 33K             | 5X N4 * 33K              | 5X N4 SOUCOR                      | 1       |
| R -054        | 2210033300             | 33K             | 5X N4 * 33K              | 5X N4 SOUCOR                      | 1       |
| R -056        | 2210011500             | 150R            | 5X N4 * 150R             | 5X N4 SOUCOR                      | 1       |
| R -057        | 2500182500             | 8K25 * 1X 0,3 W | SMA207 * 8K25 * 1X 0,3 W | SMA207 DRALORIC                   | 1       |
| R -058        | 2500182500             | 8K25 * 1X 0,3 W | SMA207 * 8K25 * 1X 0,3 W | SMA207 DRALORIC                   | 1       |
| R -059        | 2210022700             | 2K7             | 5X N4 * 2K7              | 5X N4 SOUCOR                      | 1       |
| R -060        | 2210031000             | 10K             | 5X N4 * 10K              | 5X N4 SOUCOR                      | 1       |
| R -061        | 2210026800             | 6K8             | 5X N4 * 6K8              | 5X N4 SOUCOR                      | 1       |
| R -062        | 2500139200             | 3K92 * 1X 0,3 W | SMA207 * 3K92 * 1X 0,3 W | SMA207 DRALORIC                   | 1       |
| R -063        | 2500139200             | 3K92 * 1X 0,3 W | SMA207 * 3K92 * 1X 0,3 W | SMA207 DRALORIC                   | 1       |
| R -064        | 2210011000             | 100R            | 5X N4 * 100R             | 5X N4 SOUCOR                      | 1       |
| R -065        | 2210033300             | 33K             | 5X N4 * 33K              | 5X N4 SOUCOR                      | 1       |
| R -066        | 2210021000             | 1K0             | 5X N4 * 1K0              | 5X N4 SOUCOR                      | 1       |
| R -067        | 2210011000             | 100R            | 5X N4 * 100R             | 5X N4 SOUCOR                      | 1       |
| R -068        | 2210021000             | 1K0             | 5X N4 * 1K0              | 5X N4 SOUCOR                      | 1       |
| R -069        | 2210034700             | 47K             | 5X N4 * 47K              | 5X N4 SOUCOR                      | 1       |
| R -070        | 2210011000             | 100R            | 5X N4 * 100R             | 5X N4 SOUCOR                      | 1       |
| R -071        | 2210021000             | 1K0             | 5X N4 * 1K0              | 5X N4 SOUCOR                      | 1       |
| R -072        | 2210021500             | 1K5             | 5X N4 * 1K5              | 5X N4 SOUCOR                      | 1       |
| R -073        | 2210031500             | 15K             | 5X N4 * 15K              | 5X N4 SOUCOR                      | 1       |
| R -074        | 2210018200             | 820R            | 5X N4 * 820R             | 5X N4 SOUCOR                      | 1       |
| R -075        | 2210004700             | 47R             | 5X N4 * 47R              | 5X N4 SOUCOR                      | 1       |
| R -076        | 2210012200             | 220R            | 5X N4 * 220R             | 5X N4 SOUCOR                      | 1       |
| R -077        | 2210012200             | 220R            | 5X N4 * 220R             | 5X N4 SOUCOR                      | 1       |
| R -078        | 2210021000             | 1K0             | 5X N4 * 1K0              | 5X N4 SOUCOR                      | 1       |
| R -079        | 2210031000             | 10K             | 5X N4 * 10K              | 5X N4 SOUCOR                      | 1       |
| R -080        | 2210031000             | 10K             | 5X N4 * 10K              | 5X N4 SOUCOR                      | 1       |
| R -081        | 2200034700             | 47K             | 5X N4 * 47K              | 5X N4 SOUCOR                      | 1       |
| R -082        | 2200034700             | 47K             | 5X N4 * 47K              | 5X N4 SOUCOR                      | 1       |
| SN -001       | 4157411200             | SN 74 LS 112 N  | SN 74 LS 112 N           | 'FU' TEXAS                        | 1       |
| SN -002       | 4157411200             | SN 74 LS 112 N  | SN 74 LS 112 N           | 'FU' TEXAS                        | 1       |
| SN -003       | 4157411200             | SN 74 LS 112 N  | SN 74 LS 112 N           | 'FU' TEXAS                        | 1       |
| SN -004       | 4157411200             | SN 74 LS 112 N  | SN 74 LS 112 N           | 'FU' TEXAS                        | 1       |
| SN -005       | 4150742000             | SN 74 LS 20 N 3 | SN 74 LS 20 N 3          | TEXAS                             | 1       |
| SN -006       | 4150742000             | SN 74 LS 20 N 3 | SN 74 LS 20 N 3          | TEXAS                             | 1       |
| SN -007       | 4160458500             | C-MOS 4585      | C-MOS 4585               | 'FU' RTC                          | 1       |

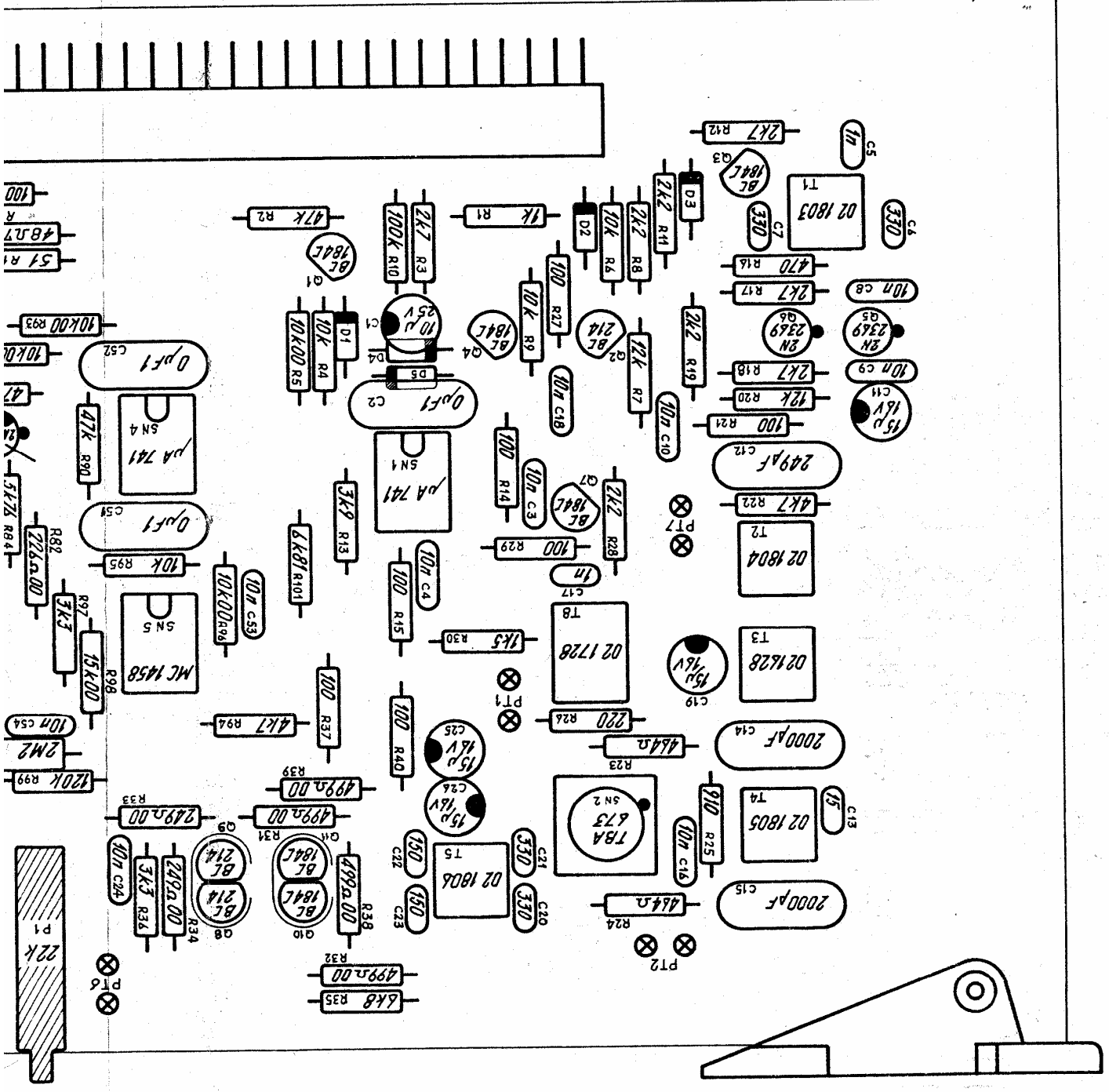
| REPERE<br>INDEXE | REF. ADRET<br>PART NUMBER | DESCRIPTION                     | PART DESCRIPTION                 | FOURNISSEUR/PLAN<br>SUPPLIER/DRAWING | QTE<br>QTY |
|------------------|---------------------------|---------------------------------|----------------------------------|--------------------------------------|------------|
| SN -008          | 4160458500                | C-MOS 4585                      | * C-MOS 4585                     | 'FU' RTC                             | 1          |
| SN -009          | 4160452200                | C-MOS 4522                      | * C-MOS 4522                     | RTC                                  | 1          |
| SN -010          | 4160452600                | C-MOS 4526                      | * C-MOS 4526                     | RTC                                  | 1          |
| SN -011          | 4160456000                | C-MOS 4560                      | * C-MOS 4560                     | MC 14560 BCP MOTOROLA                | 1          |
| SN -012          | 4160456000                | C-MOS 4560                      | * C-MOS 4560                     | MC 14560 BCP MOTOROLA                | 1          |
| SN -013          | 4150742000                | SN 74 LS 20 N 3                 | * SN 74 LS 20 N 3                | TEXAS                                | 1          |
| SN -014          | 4157411200                | SN 74 LS 112 N                  | * SN 74 LS 112 N                 | 'FU' TEXAS                           | 1          |
| SN -015          | 4160402700                | C-MOS 4027                      | * C-MOS 4027                     | RTC                                  | 1          |
| SN -016          | 4150748600                | SN 74 LS 86 N 3                 | * SN 74 LS 86 N 3                | TEXAS                                | 1          |
| SN -017          | 4160408100                | C-MOS 4081                      | * C-MOS 4081                     | RTC                                  | 1          |
| SN -018          | 4160402700                | C-MOS 4027                      | * C-MOS 4027                     | RTC                                  | 1          |
| SN -019          | 4157411200                | SN 74 LS 112 N                  | * SN 74 LS 112 N                 | 'FU' TEXAS                           | 1          |
| SN -020          | 4110740000                | SN 7400 N                       | * SN 7400 N                      | TEXAS                                | 1          |
| T -001           | 0218000000                | 01 F108 13X1                    | * 01 F108 13X1 TURNS             | 2230A Z94 F108.....14                | 1          |
| T -002           | 0218000000                | 01 F108 13X1                    | * 01 F108 13X1 TURNS             | 2230A Z94 F108.....14                | 1          |
| T -003           | 0216650000                | 00 F108 18X6 SPIRES             | * 00 F108 18X6 TURNS             | 4101 Z94 F108.....24                 | 1          |
| T -004           | 0218020000                | 00 F108 35X4                    | * 00 F108 35X4 TURNS             | 2200A Z94 F108.....39                | 1          |
| Z0               | 0206750000                | 00 ETIQUETTE 6906               | * 00 LABEL 6906                  | 2230A 942375.....                    | 1          |
| Z1               | 1100010000                | FIL NOIR                        | * BLACK THREAD                   | KY30-04 FILECA                       | 0          |
| Z1               | 1100030000                | FIL ROUGE                       | * RED THREAD                     | KY30-04 FILECA                       | 0          |
| Z1               | 1100430000                | COAX KX 21 A                    | * COAX KX 21 A                   | FILECA                               | 0          |
| Z1               | 1100520000                | FIL NU ETAME 4/10               | * TINNED BARE THREAD 4/10        | ELECTROFIL                           | 0          |
| Z1               | 1269060500                | CI 2'GENERATION                 | * PC 2'GENERATION                | 2230A H996906                        | 1          |
| Z1               | 1300600000                | SOUPLISSO 1X1,2 COUL. NATUREL   | * SPAGHETTI 1X1.2 GRAY COLORED   | HABIA                                | 0          |
| Z1               | 1400109900                | POINT TEST                      | * TEST POINT                     | C940850                              | 13         |
| Z1               | 1900200000                | EXTRACTEUR DE CARTE 'ELEVATEUR' | * BOARD EXTRACTOR 'LIFTER'       | TRELEC                               | 2          |
| Z4               | 4900250000                | ENTRETOISE T018-019D            | * SPACER T018-019D               | JERMYN                               | 9          |
| Z5               | 5400050000                | CALE ISOLANTE NEOSID POUR CI    | * NEOSID INSULATING QUOIN FOR PC | -940008                              | 4          |
| Z6               | 6400280000                | PLOT A FOURCHE SOUDE . BFMQ13C  | * SOLDERED FORK CONTACT BFMQ13C  | COMATEL                              | 2          |
| Z6               | 6400530000                | OEILLET LAITON N° 2070          | * FIXING EYELET BRASS .. N° 2070 | MCOM                                 | 2          |
| Z8               | 8000290000                | BLINDAGE POUR NEOSID            | * SHIELDING FOR NEOSID           | 8940048                              | 2          |









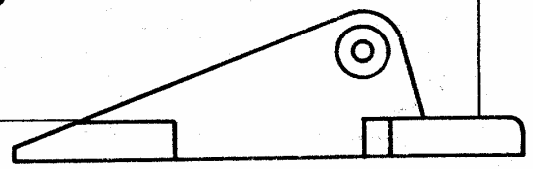
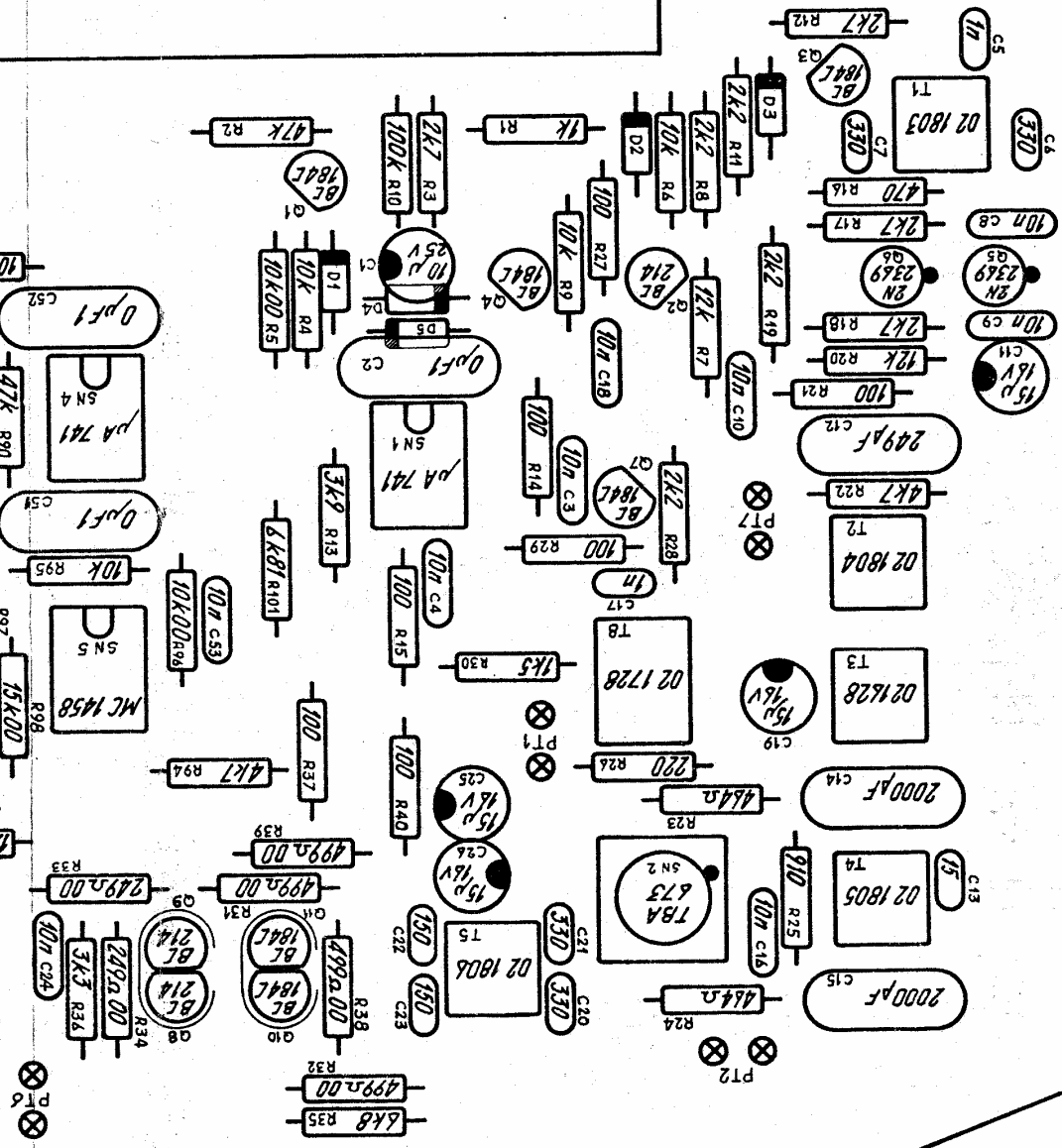


100  
R  
48.7  
51 R1

10K00 R93  
10L0  
47  
2A  
5.77 R87

R82  
225n00  
3K3  
15K00  
10n C54  
2M2  
120K R99

P1  
22K



| REPERE INDEXE | REF. ADRET PART NUMBER | DESCRIPTION                     | PART DESCRIPTION                   | FOURNISSEUR/PLAN SUPPLIER/DRAWING | QTE QTY                |   |
|---------------|------------------------|---------------------------------|------------------------------------|-----------------------------------|------------------------|---|
| B -001        | 1423000400             | TM 23 MCIG                      | MALE CARTE                         | TM 23 MCIG                        | MALE TREC              | 1 |
| C -001        | 3700180000             | 22MMF/16V 5,08 ... STAND L TAG  | 22MMF/16V 5,08 ... STAND L TAG     | STC                               | 1                      |   |
| C -002        | 3234100100             | 0,1MMF 7,5 20% 100V             | MKS4                               | 0,1MMF 7,5 20% 100V               | MKS4 WIMA              | 1 |
| C -003        | 3150031000             | 10NF 5,08 63V                   | GOX 767 14                         | 10NF 5,08 63V                     | GOX 767 14 LCC         | 1 |
| C -004        | 3150031000             | 10NF 5,08 63V                   | GOX 767 14                         | 10NF 5,08 63V                     | GOX 767 14 LCC         | 1 |
| C -005        | 3120021000             | 1 NF 2,5                        | 2222 630 51 102                    | 1 NF 2,5                          | 2222 630 51 102 COGECO | 1 |
| C -006        | 3120013300             | 330PF 2,5 N33                   | 2222 680 58 331                    | 330PF 2,5 N33                     | 2222 680 58 331 COGECO | 1 |
| C -007        | 3120013300             | 330PF 2,5 N33                   | 2222 680 58 331                    | 330PF 2,5 N33                     | 2222 680 58 331 COGECO | 1 |
| C -008        | 3150031000             | 10NF 5,08 63V                   | GOX 767 14                         | 10NF 5,08 63V                     | GOX 767 14 LCC         | 1 |
| C -009        | 3150031000             | 10NF 5,08 63V                   | GOX 767 14                         | 10NF 5,08 63V                     | GOX 767 14 LCC         | 1 |
| C -010        | 3150031000             | 10NF 5,08 63V                   | GOX 767 14                         | 10NF 5,08 63V                     | GOX 767 14 LCC         | 1 |
| C -011        | 3700180000             | 22MMF/16V 5,08 ... STAND L TAG  | 22MMF/16V 5,08 ... STAND L TAG     | STC                               | 1                      |   |
| C -012        | 3300249000             | 249PF 7,6 2% 250V               | 59SP                               | 249PF 7,6 2% 250V                 | 59SP GAM               | 1 |
| C -013        | 3120001500             | 15PF 2,5 H                      | 2222 680 10 159                    | 15PF 2,5 H                        | 2222 680 10 159 COGECO | 1 |
| C -014        | 3301200100             | 2000PF 7,62 5% 250V             | 59 SP                              | 2000PF 7,62 5% 250V               | 59 SP GAM              | 1 |
| C -015        | 3301200100             | 2000PF 7,62 5% 250V             | 59 SP                              | 2000PF 7,62 5% 250V               | 59 SP GAM              | 1 |
| C -016        | 3150031000             | 10NF 5,08 63V                   | GOX 767 14                         | 10NF 5,08 63V                     | GOX 767 14 LCC         | 1 |
| C -017        | 3120021000             | 1 NF 2,5                        | 2222 630 51 102                    | 1 NF 2,5                          | 2222 630 51 102 COGECO | 1 |
| C -018        | 3150031000             | 10NF 5,08 63V                   | GOX 767 14                         | 10NF 5,08 63V                     | GOX 767 14 LCC         | 1 |
| C -019        | 3700180000             | 22MMF/16V 5,08 ... STAND L TAG  | 22MMF/16V 5,08 ... STAND L TAG     | STC                               | 1                      |   |
| C -020        | 3120013300             | 330PF 2,5 N33                   | 2222 680 58 331                    | 330PF 2,5 N33                     | 2222 680 58 331 COGECO | 1 |
| C -021        | 3120013300             | 330PF 2,5 N33                   | 2222 680 58 331                    | 330PF 2,5 N33                     | 2222 680 58 331 COGECO | 1 |
| C -022        | 3120011500             | 150PF 2,5 N15                   | 2222 680 58 151                    | 150PF 2,5 N15                     | 2222 680 58 151 COGECO | 1 |
| C -023        | 3120011500             | 150PF 2,5 N15                   | 2222 680 58 151                    | 150PF 2,5 N15                     | 2222 680 58 151 COGECO | 1 |
| C -024        | 3150031000             | 10NF 5,08 63V                   | GOX 767 14                         | 10NF 5,08 63V                     | GOX 767 14 LCC         | 1 |
| C -025        | 3700180000             | 22MMF/16V 5,08 ... STAND L TAG  | 22MMF/16V 5,08 ... STAND L TAG     | STC                               | 1                      |   |
| C -026        | 3700180000             | 22MMF/16V 5,08 ... STAND L TAG  | 22MMF/16V 5,08 ... STAND L TAG     | STC                               | 1                      |   |
| C -027        | 3120001000             | 10PF 2,5 F                      | 2222 680 10 109                    | 10PF 2,5 F                        | 2222 680 10 109 COGECO | 1 |
| C -028        | 3120008200             | 82PF 2,5                        | 2222 680 10 829                    | 82PF 2,5                          | 2222 680 10 829 COGECO | 1 |
| C -029        | 3120011200             | 120PF 2,5 N12                   | 2222 680 58 121                    | 120PF 2,5 N12                     | 2222 680 58 121 COGECO | 1 |
| C -030        | 3120011500             | 150PF 2,5 N15                   | 2222 680 58 151                    | 150PF 2,5 N15                     | 2222 680 58 151 COGECO | 1 |
| C -031        | 3120001000             | 10PF 2,5 F                      | 2222 680 10 109                    | 10PF 2,5 F                        | 2222 680 10 109 COGECO | 1 |
| C -032        | 3120008200             | 82PF 2,5                        | 2222 680 10 829                    | 82PF 2,5                          | 2222 680 10 829 COGECO | 1 |
| C -033        | 3150031000             | 10NF 5,08 63V                   | GOX 767 14                         | 10NF 5,08 63V                     | GOX 767 14 LCC         | 1 |
| C -034        | 3150031000             | 10NF 5,08 63V                   | GOX 767 14                         | 10NF 5,08 63V                     | GOX 767 14 LCC         | 1 |
| C -035        | 3700250000             | 47MMF/6,3V 5,08 ... STAND L TAG | 47MMF/6,3V 5,08 ... STAND L TAG    | STC                               | 1                      |   |
| C -036        | 3700250000             | 47MMF/6,3V 5,08 ... STAND L TAG | 47MMF/6,3V 5,08 ... STAND L TAG    | STC                               | 1                      |   |
| C -037        | 3100000000             | CONDENS CERAMIQUE A AJUSTER     | CERAMIC CAPACITORS TO ADJUST ADRET |                                   |                        | 1 |
| C -038        | 3700180000             | 22MMF/16V 5,08 ... STAND L TAG  | 22MMF/16V 5,08 ... STAND L TAG     | STC                               | 1                      |   |
| C -039        | 3700180000             | 22MMF/16V 5,08 ... STAND L TAG  | 22MMF/16V 5,08 ... STAND L TAG     | STC                               | 1                      |   |
| C -040        | 3700180000             | 22MMF/16V 5,08 ... STAND L TAG  | 22MMF/16V 5,08 ... STAND L TAG     | STC                               | 1                      |   |
| C -041        | 3700180000             | 22MMF/16V 5,08 ... STAND L TAG  | 22MMF/16V 5,08 ... STAND L TAG     | STC                               | 1                      |   |
| C -042        | 3224220200             | 0,22MMF 10,2 10% 40V            | CKM501                             | 0,22MMF 10,2 10% 40V              | CKM501 EUROFARAD       | 1 |
| C -043        | 3224220200             | 0,22MMF 10,2 10% 40V            | CKM501                             | 0,22MMF 10,2 10% 40V              | CKM501 EUROFARAD       | 1 |
| C -044        | 3150031000             | 10NF 5,08 63V                   | GOX 767 14                         | 10NF 5,08 63V                     | GOX 767 14 LCC         | 1 |
| C -045        | 3700180000             | 22MMF/16V 5,08 ... STAND L TAG  | 22MMF/16V 5,08 ... STAND L TAG     | STC                               | 1                      |   |
| C -046        | 3150031000             | 10NF 5,08 63V                   | GOX 767 14                         | 10NF 5,08 63V                     | GOX 767 14 LCC         | 1 |
| C -047        | 3700180000             | 22MMF/16V 5,08 ... STAND L TAG  | 22MMF/16V 5,08 ... STAND L TAG     | STC                               | 1                      |   |
| C -048        | 3700180000             | 22MMF/16V 5,08 ... STAND L TAG  | 22MMF/16V 5,08 ... STAND L TAG     | STC                               | 1                      |   |
| C -049        | 3120008200             | 82PF 2,5                        | 2222 680 10 829                    | 82PF 2,5                          | 2222 680 10 829 COGECO | 1 |
| C -050        | 3700100000             | 4,7MMF/35V 5,08 ... STAND L TAG | 4,7MMF/35V 5,08 ... STAND L TAG    | STC                               | 1                      |   |
| C -051        | 3234100100             | 0,1MMF 7,5 20% 100V             | MKS4                               | 0,1MMF 7,5 20% 100V               | MKS4 WIMA              | 1 |
| C -052        | 3234100100             | 0,1MMF 7,5 20% 100V             | MKS4                               | 0,1MMF 7,5 20% 100V               | MKS4 WIMA              | 1 |
| C -053        | 3150031000             | 10NF 5,08 63V                   | GOX 767 14                         | 10NF 5,08 63V                     | GOX 767 14 LCC         | 1 |
| C -054        | 3150031000             | 10NF 5,08 63V                   | GOX 767 14                         | 10NF 5,08 63V                     | GOX 767 14 LCC         | 1 |
| D -001        | 4500020000             | IN4151                          |                                    | IN4151                            | FU'ITT                 | 1 |
| D -002        | 4500020000             | IN4151                          |                                    | IN4151                            | FU'ITT                 | 1 |
| D -003        | 4500020000             | IN4151                          |                                    | IN4151                            | FU'ITT                 | 1 |
| D -004        | 4500020000             | IN4151                          |                                    | IN4151                            | FU'ITT                 | 1 |
| D -005        | 4500020000             | IN4151                          |                                    | IN4151                            | FU'ITT                 | 1 |
| D -006        | 4500020000             | IN4151                          |                                    | IN4151                            | FU'ITT                 | 1 |
| D -007        | 4500020000             | IN4151                          |                                    | IN4151                            | FU'ITT                 | 1 |
| D -008        | 4500020000             | IN4151                          |                                    | IN4151                            | FU'ITT                 | 1 |
| D -009        | 4500020000             | IN4151                          |                                    | IN4151                            | FU'ITT                 | 1 |
| D -010        | 4500020000             | IN4151                          |                                    | IN4151                            | FU'ITT                 | 1 |
| D -011        | 4500020000             | IN4151                          |                                    | IN4151                            | FU'ITT                 | 1 |
| D -012        | 4500020000             | IN4151                          |                                    | IN4151                            | FU'ITT                 | 1 |
| D -013        | 4500020000             | IN4151                          |                                    | IN4151                            | FU'ITT                 | 1 |
| D -014        | 4500020000             | IN4151                          |                                    | IN4151                            | FU'ITT                 | 1 |
| D -015        | 4500540000             | IN6263 D035 (EX ESM247&246)     | IN6263 (SUBSTIT. ESM247&246)       | RTC                               | 1                      |   |
| D -016        | 4500540000             | IN6263 D035 (EX ESM247&246)     | IN6263 (SUBSTIT. ESM247&246)       | RTC                               | 1                      |   |
| P -001        | 2133220000             | 22K 3/4" 15T CERMET             | 43 P                               | 22K 3/4" 15T CERMET               | 43 P SPECTROL          | 1 |
| P -002        | 2133220000             | 22K 3/4" 15T CERMET             | 43 P                               | 22K 3/4" 15T CERMET               | 43 P SPECTROL          | 1 |
| Q -001        | 4300190000             | BC550C /414C/413C/549C(BC184C)  |                                    | BC550C /414C/413C/549C(BC184C)    | RTC                    | 1 |
| Q -002        | 4300110000             | BC560C /416C/415C/559C(BC214C)  |                                    | BC560C /413C/415C/559C(BC214C)    | RTC                    | 1 |
| Q -003        | 4300190000             | BC550C /414C/413C/549C(BC184C)  |                                    | BC550C /414C/413C/549C(BC184C)    | RTC                    | 1 |
| Q -004        | 4300190000             | BC550C /414C/413C/549C(BC184C)  |                                    | BC550C /414C/413C/549C(BC184C)    | RTC                    | 1 |
| Q -005        | 4300050000             | 2N2369 A                        |                                    | 2N2369 A                          | MOTOROLA               | 1 |
| Q -006        | 4300050000             | 2N2369 A                        |                                    | 2N2369 A                          | MOTOROLA               | 1 |

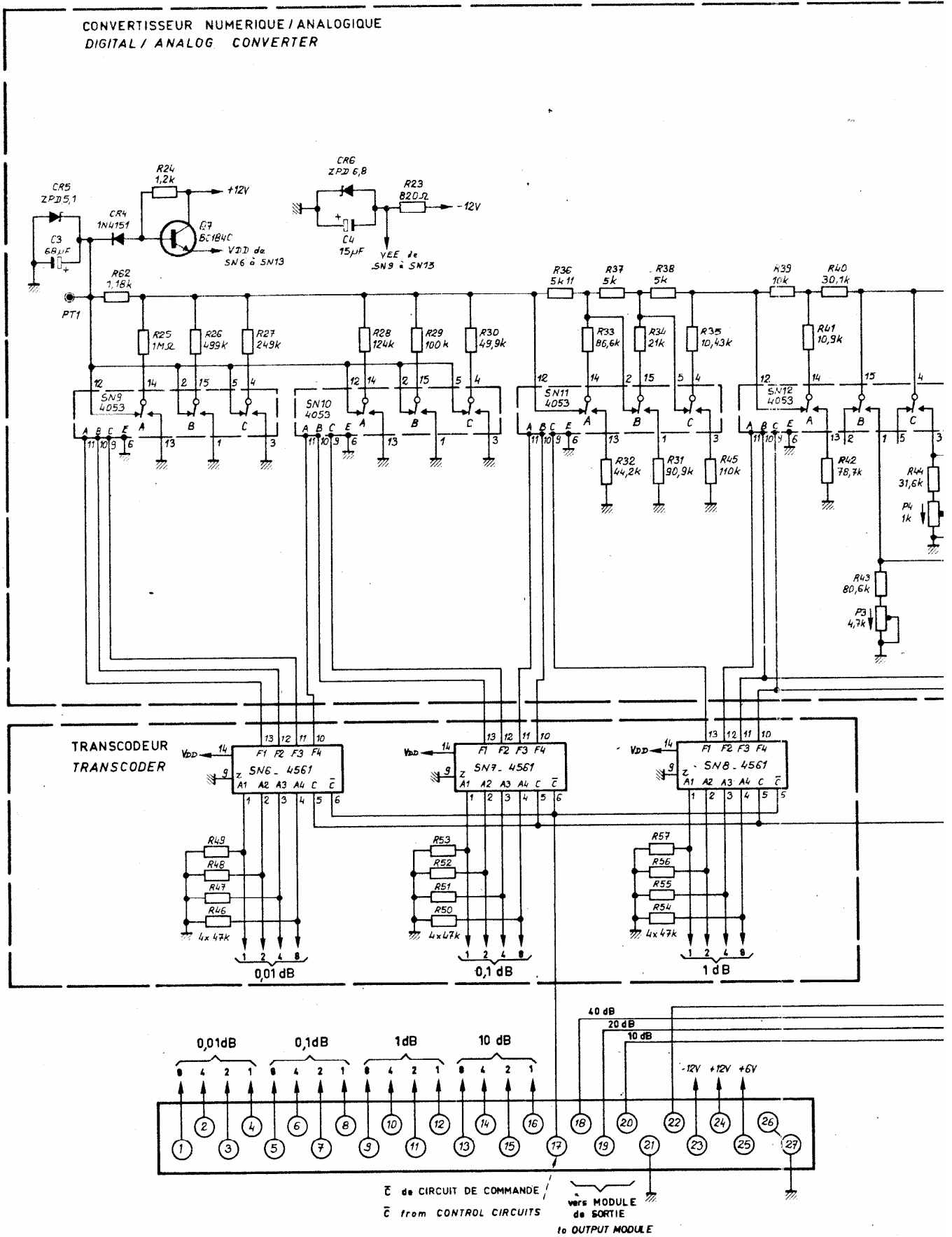


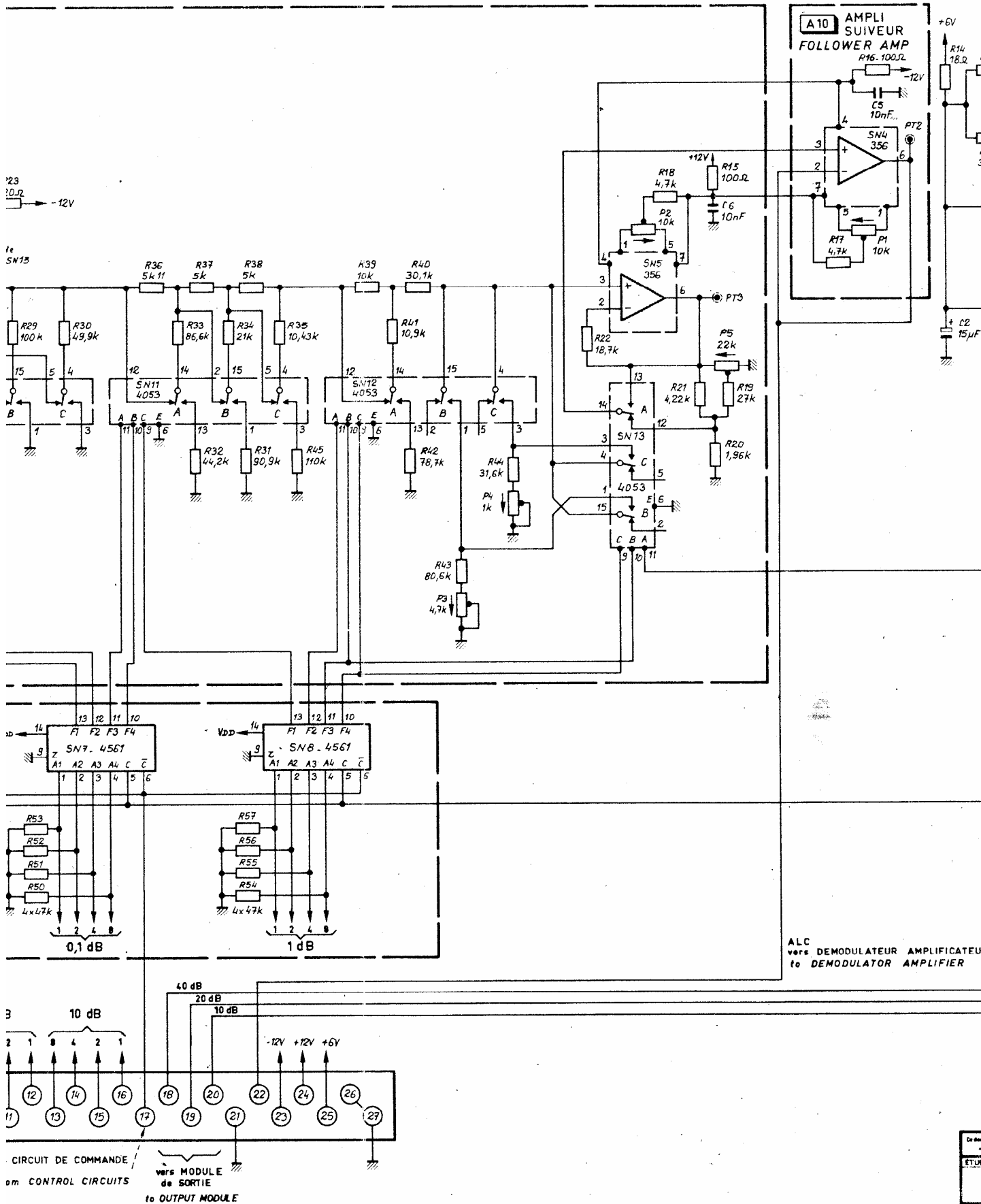
| REPERE INDEXE | REF. ADRET PART NUMBER | DESCRIPTION                    | PART DESCRIPTION                 | FOURNISSEUR/PLAN SUPPLIER/DRAWING | QTE QTY |
|---------------|------------------------|--------------------------------|----------------------------------|-----------------------------------|---------|
| Q -007        | 4300190000             | BC550C /414C/413C/549C(BC184C) | * BC550C /414C/413C/549C(BC184C) | RTC                               | 1       |
| Q -008        | 4300110000             | BC560C /416C/415C/559C(BC214C) | * BC560C /413C/415C/559C(BC214C) | RTC                               | 1       |
| Q -009        | 4300110000             | BC560C /416C/415C/559C(BC214C) | * BC560C /413C/415C/559C(BC214C) | RTC                               | 1       |
| Q -010        | 4300190000             | BC550C /414C/413C/549C(BC184C) | * BC550C /414C/413C/549C(BC184C) | RTC                               | 1       |
| Q -011        | 4300190000             | BC550C /414C/413C/549C(BC184C) | * BC550C /414C/413C/549C(BC184C) | RTC                               | 1       |
| Q -012        | 4300110000             | BC560C /416C/415C/559C(BC214C) | * BC560C /413C/415C/559C(BC214C) | RTC                               | 1       |
| Q -013        | 4300190000             | BC550C /414C/413C/549C(BC184C) | * BC550C /414C/413C/549C(BC184C) | RTC                               | 1       |
| Q -014        | 4800080000             | 2N2905                         | * 2N2905                         | RTC                               | 1       |
| Q -015        | 4800060000             | 2N2219                         | * 2N2219                         | RTC                               | 1       |
| Q -016        | 4800060000             | 2N2219                         | * 2N2219                         | RTC                               | 1       |
| Q -017        | 4800080000             | 2N2905                         | * 2N2905                         | RTC                               | 1       |
| Q -018        | 4300580000             | BC 337-25 TO 92 ..... (2N2222) | * BC 337-25 TO 92 ..... (2N2222) | ITT                               | 1       |
| Q -019        | 4300570000             | BC 327-25 TO 92 ..... (2N2907) | * BC 327-25 TO 92 ..... (2N2907) | ITT                               | 1       |
| Q -020        | 4300110000             | BC560C /416C/415C/559C(BC214C) | * BC560C /413C/415C/559C(BC214C) | RTC                               | 1       |
| Q -021        | 4300050000             | 2N2369 A                       | * 2N2369 A                       | MOTOROLA                          | 1       |
| Q -022        | 4300050000             | 2N2369 A                       | * 2N2369 A                       | MOTOROLA                          | 1       |
| Q -023        | 4300040000             | 2 N 918                        | * 2 N 918                        | SGS                               | 1       |
| Q -024        | 4300040000             | 2 N 918                        | * 2 N 918                        | SGS                               | 1       |
| Q -025        | 4300130000             | BFR 99                         | * BFR 99                         | MOTOROLA                          | 1       |
| Q -026        | 4300720000             | BFY 90                         | * BFY 90                         | RTC                               | 1       |
| R -001        | 2210021000             | 1K0                            | 5% N4 1K0                        | SOUCOR                            | 1       |
| R -002        | 2210034700             | 47K                            | 5% N4 47K                        | SOUCOR                            | 1       |
| R -003        | 2210022700             | 2K7                            | 5% N4 2K7                        | SOUCOR                            | 1       |
| R -004        | 2210031000             | 10K                            | 5% N4 10K                        | SOUCOR                            | 1       |
| R -005        | 2500210000             | 10K0 * 1% 0,3 U                | SMA207 10K0 * 1% 0,3 U           | DRALORIC                          | 1       |
| R -006        | 2210031000             | 10K                            | 5% N4 10K                        | SOUCOR                            | 1       |
| R -007        | 2210031200             | 12K                            | 5% N4 12K                        | SOUCOR                            | 1       |
| R -008        | 2210022200             | 2K2                            | 5% N4 2K2                        | SOUCOR                            | 1       |
| R -009        | 2210031000             | 10K                            | 5% N4 10K                        | SOUCOR                            | 1       |
| R -010        | 2210041000             | 100K                           | 5% N4 100K                       | SOUCOR                            | 1       |
| R -011        | 2210022200             | 2K2                            | 5% N4 2K2                        | SOUCOR                            | 1       |
| R -012        | 2210022700             | 2K7                            | 5% N4 2K7                        | SOUCOR                            | 1       |
| R -013        | 2210023900             | 3K9                            | 5% N4 3K9                        | SOUCOR                            | 1       |
| R -014        | 2210011000             | 100R                           | 5% N4 100R                       | SOUCOR                            | 1       |
| R -015        | 2210011000             | 100R                           | 5% N4 100R                       | SOUCOR                            | 1       |
| R -016        | 2210014700             | 470R                           | 5% N4 470R                       | SOUCOR                            | 1       |
| R -017        | 2210022700             | 2K7                            | 5% N4 2K7                        | SOUCOR                            | 1       |
| R -018        | 2210022700             | 2K7                            | 5% N4 2K7                        | SOUCOR                            | 1       |
| R -019        | 2210022200             | 2K2                            | 5% N4 2K2                        | SOUCOR                            | 1       |
| R -020        | 2210031200             | 12K                            | 5% N4 12K                        | SOUCOR                            | 1       |
| R -021        | 2210011000             | 100R                           | 5% N4 100R                       | SOUCOR                            | 1       |
| R -022        | 2210024700             | 4K7                            | 5% N4 4K7                        | SOUCOR                            | 1       |
| R -023        | 2500046400             | 464R * 1% 0,3 U                | SMA207 464R * 1% 0,3 U           | DRALORIC                          | 1       |
| R -024        | 2500046400             | 464R * 1% 0,3 U                | SMA207 464R * 1% 0,3 U           | DRALORIC                          | 1       |
| R -025        | 2210019100             | 910R                           | 5% N4 910R                       | SOUCOR                            | 1       |
| R -026        | 2210012200             | 220R                           | 5% N4 220R                       | SOUCOR                            | 1       |
| R -027        | 2210011000             | 100R                           | 5% N4 100R                       | SOUCOR                            | 1       |
| R -028        | 2210022200             | 2K2                            | 5% N4 2K2                        | SOUCOR                            | 1       |
| R -029        | 2210011000             | 100R                           | 5% N4 100R                       | SOUCOR                            | 1       |
| R -030        | 2210021500             | 1K5                            | 5% N4 1K5                        | SOUCOR                            | 1       |
| R -031        | 2500049900             | 499R * 1% 0,3 U                | SMA207 499R * 1% 0,3 U           | DRALORIC                          | 1       |
| R -032        | 2500049900             | 499R * 1% 0,3 U                | SMA207 499R * 1% 0,3 U           | DRALORIC                          | 1       |
| R -033        | 2500024900             | 249R * 1% 0,3 U                | SMA207 249R * 1% 0,3 U           | DRALORIC                          | 1       |
| R -034        | 2500024900             | 249R * 1% 0,3 U                | SMA207 249R * 1% 0,3 U           | DRALORIC                          | 1       |
| R -035        | 2210026800             | 6K8                            | 5% N4 6K8                        | SOUCOR                            | 1       |
| R -036        | 2210023300             | 3K3                            | 5% N4 3K3                        | SOUCOR                            | 1       |
| R -037        | 2210011000             | 100R                           | 5% N4 100R                       | SOUCOR                            | 1       |
| R -038        | 2500049900             | 499R * 1% 0,3 U                | SMA207 499R * 1% 0,3 U           | DRALORIC                          | 1       |
| R -039        | 2500049900             | 499R * 1% 0,3 U                | SMA207 499R * 1% 0,3 U           | DRALORIC                          | 1       |
| R -040        | 2210011000             | 100R                           | 5% N4 100R                       | SOUCOR                            | 1       |
| R -041        | 2500110000             | 1K00 * 1% 0,3 U                | SMA207 1K00 * 1% 0,3 U           | DRALORIC                          | 1       |
| R -042        | 2500110000             | 1K00 * 1% 0,3 U                | SMA207 1K00 * 1% 0,3 U           | DRALORIC                          | 1       |
| R -043        | 2500168100             | 6K81 * 1% 0,3 U                | SMA207 6K81 * 1% 0,3 U           | DRALORIC                          | 1       |
| R -044        | 2500168100             | 6K81 * 1% 0,3 U                | SMA207 6K81 * 1% 0,3 U           | DRALORIC                          | 1       |
| R -045        | 2500156200             | 5K62 * 1% 0,3 U                | SMA207 5K62 * 1% 0,3 U           | DRALORIC                          | 1       |
| R -046        | 2500156200             | 5K62 * 1% 0,3 U                | SMA207 5K62 * 1% 0,3 U           | DRALORIC                          | 1       |
| R -047        | 2210001200             | 12R                            | 5% N4 12R                        | SOUCOR                            | 1       |
| R -048        | 2210001200             | 12R                            | 5% N4 12R                        | SOUCOR                            | 1       |
| R -049        | 2500022100             | 221R * 1% 0,3 U                | SMA207 221R * 1% 0,3 U           | DRALORIC                          | 1       |
| R -050        | 2500022100             | 221R * 1% 0,3 U                | SMA207 221R * 1% 0,3 U           | DRALORIC                          | 1       |
| R -051        | 2500924900             | 249R * 1% 0,3 U                | SMA207 249R * 1% 0,3 U           | DRALORIC                          | 1       |
| R -052        | 2500924900             | 249R * 1% 0,3 U                | SMA207 249R * 1% 0,3 U           | DRALORIC                          | 1       |
| R -053        | 2300094700             | 4R7 SFR 25 1/4W 5% RC2T        | * 4R7 SFR 25 1/4W 5% RC2T        | RTC                               | 1       |
| R -054        | 2300095600             | 5R6 SFR 25 1/4W 5% RC2T        | * 5R6 SFR 25 1/4W 5% RC2T        | RTC                               | 1       |
| R -055        | 2300095600             | 5R6 SFR 25 1/4W 5% RC2T        | * 5R6 SFR 25 1/4W 5% RC2T        | RTC                               | 1       |
| R -056        | 2500110000             | 1K00 * 1% 0,3 U                | SMA207 1K00 * 1% 0,3 U           | DRALORIC                          | 1       |
| R -057        | 2500010000             | 100R * 1% 0,3 U                | SMA207 100R * 1% 0,3 U           | DRALORIC                          | 1       |
| R -058        | 2210011000             | 100R                           | 5% N4 100R                       | SOUCOR                            | 1       |
| R -059        | 2210011000             | 100R                           | 5% N4 100R                       | SOUCOR                            | 1       |

\*\*\*\*\*  
\*0269070000 13 CARTE AMPLIFICATEUR . 2230A \* 13 AMPLIFIER BOARD ..... 2230A G932353.A976907 \*  
\*\*\*\*\*

| REPERE<br>INDEXE | REF. ADRET<br>PART NUMBER | DESCRIPTION                     | PART DESCRIPTION               | FOURNISSEUR/PLAN<br>SUPPLIER/DRAWING | QTE<br>QTY           |
|------------------|---------------------------|---------------------------------|--------------------------------|--------------------------------------|----------------------|
| R -060           | 2500130100                | 3K01 * 1% 0,3 W                 | SMA207 * 3K01 * 1% 0,3 W       | SMA207 DRALORIC                      | 1                    |
| R -061           | 2500130100                | 3K01 * 1% 0,3 W                 | SMA207 * 3K01 * 1% 0,3 W       | SMA207 DRALORIC                      | 1                    |
| R -062           | 2500149900                | 4K99 * 1% 0,3 W                 | SMA207 * 4K99 * 1% 0,3 W       | SMA207 DRALORIC                      | 1                    |
| R -063           | 2500149900                | 4K99 * 1% 0,3 W                 | SMA207 * 4K99 * 1% 0,3 W       | SMA207 DRALORIC                      | 1                    |
| R -064           | 2210032200                | 22K                             | 5% N4 * 22K                    | 5% N4 SOUCOR                         | 1                    |
| R -065           | 2210032200                | 22K                             | 5% N4 * 22K                    | 5% N4 SOUCOR                         | 1                    |
| R -066           | 2500948700                | 48R7 * 1% 0,3 W                 | SMA207 * 48R7 * 1% 0,3 W       | SMA207 DRALORIC                      | 1                    |
| R -067           | 2210023300                | 3K3                             | 5% N4 * 3K3                    | 5% N4 SOUCOR                         | 1                    |
| R -068           | 2210011000                | 100R                            | 5% N4 * 100R                   | 5% N4 SOUCOR                         | 1                    |
| R -069           | 2210011500                | 150R                            | 5% N4 * 150R                   | 5% N4 SOUCOR                         | 1                    |
| R -070           | 2210022200                | 2K2                             | 5% N4 * 2K2                    | 5% N4 SOUCOR                         | 1                    |
| R -071           | 2210011000                | 100R                            | 5% N4 * 100R                   | 5% N4 SOUCOR                         | 1                    |
| R -072           | 2210022200                | 2K2                             | 5% N4 * 2K2                    | 5% N4 SOUCOR                         | 1                    |
| R -073           | 2210022200                | 2K2                             | 5% N4 * 2K2                    | 5% N4 SOUCOR                         | 1                    |
| R -074           | 2210024700                | 4K7                             | 5% N4 * 4K7                    | 5% N4 SOUCOR                         | 1                    |
| R -075           | 2500110000                | 1K00 * 1% 0,3 W                 | SMA207 * 1K00 * 1% 0,3 W       | SMA207 DRALORIC                      | 1                    |
| R -076           | 2210013300                | 330R                            | 5% N4 * 330R                   | 5% N4 SOUCOR                         | 1                    |
| R -077           | 2500115000                | 1K50 * 1% 0,3 W                 | SMA207 * 1K50 * 1% 0,3 W       | SMA207 DRALORIC                      | 1                    |
| R -078           | 2900011000                | 100R                            | 5% NK3 * 100R                  | 5% NK3 SOUCOR                        | 1                    |
| R -079           | 2500124300                | 2K43 * 1% 0,3 W                 | SMA207 * 2K43 * 1% 0,3 W       | SMA207 DRALORIC                      | 1                    |
| R -080           | 2210005600                | 56R                             | 5% N4 * 56R                    | 5% N4 SOUCOR                         | 1                    |
| R -081           | 2500022600                | 226R * 1% 0,3 W                 | SMA207 * 226R * 1% 0,3 W       | SMA207 DRALORIC                      | 1                    |
| R -082           | 2500022600                | 226R * 1% 0,3 W                 | SMA207 * 226R * 1% 0,3 W       | SMA207 DRALORIC                      | 1                    |
| R -083           | 2500124300                | 2K43 * 1% 0,3 W                 | SMA207 * 2K43 * 1% 0,3 W       | SMA207 DRALORIC                      | 1                    |
| R -084           | 2500157600                | 5K76 * 1% 0,3 W                 | SMA207 * 5K76 * 1% 0,3 W       | SMA207 DRALORIC                      | 1                    |
| R -085           | 2500049900                | 499R * 1% 0,3 W                 | SMA207 * 499R * 1% 0,3 W       | SMA207 DRALORIC                      | 1                    |
| R -086           | 2500049900                | 499R * 1% 0,3 W                 | SMA207 * 499R * 1% 0,3 W       | SMA207 DRALORIC                      | 1                    |
| R -087           | 2210004700                | 47R                             | 5% N4 * 47R                    | 5% N4 SOUCOR                         | 1                    |
| R -088           | 2210004700                | 47R                             | 5% N4 * 47R                    | 5% N4 SOUCOR                         | 1                    |
| R -089           | 2210034700                | 47K                             | 5% N4 * 47K                    | 5% N4 SOUCOR                         | 1                    |
| R -090           | 2210034700                | 47K                             | 5% N4 * 47K                    | 5% N4 SOUCOR                         | 1                    |
| R -091           | 2210032200                | 22K                             | 5% N4 * 22K                    | 5% N4 SOUCOR                         | 1                    |
| R -092           | 2500210000                | 10K0 * 1% 0,3 W                 | SMA207 * 10K0 * 1% 0,3 W       | SMA207 DRALORIC                      | 1                    |
| R -093           | 2500210000                | 10K0 * 1% 0,3 W                 | SMA207 * 10K0 * 1% 0,3 W       | SMA207 DRALORIC                      | 1                    |
| R -094           | 2210024700                | 4K7                             | 5% N4 * 4K7                    | 5% N4 SOUCOR                         | 1                    |
| R -095           | 2210031000                | 10K                             | 5% N4 * 10K                    | 5% N4 SOUCOR                         | 1                    |
| R -096           | 2500210000                | 10K0 * 1% 0,3 W                 | SMA207 * 10K0 * 1% 0,3 W       | SMA207 DRALORIC                      | 1                    |
| R -097           | 2210023300                | 3K3                             | 5% N4 * 3K3                    | 5% N4 SOUCOR                         | 1                    |
| R -098           | 2500215000                | 15K0 * 1% 0,3 W                 | SMA207 * 15K0 * 1% 0,3 W       | SMA207 DRALORIC                      | 1                    |
| R -099           | 2210041200                | 120K                            | 5% N4 * 120K                   | 5% N4 SOUCOR                         | 1                    |
| R -100           | 2200052200                | 2M2 5% CB                       | 2M2 5% CB                      | CB ALLEN BRADLEY                     | 1                    |
| R -101           | 2500168100                | 6K81 * 1% 0,3 W                 | SMA207 * 6K81 * 1% 0,3 W       | SMA207 DRALORIC                      | 1                    |
| R -102           | 2300094700                | 4R7 SFR 25 1/4W 5% RC2T         | 4R7 SFR 25 1/4W 5% RC2T        | RTC                                  | 1                    |
| R -103           | 2300094700                | 4R7 SFR 25 1/4W 5% RC2T         | 4R7 SFR 25 1/4W 5% RC2T        | RTC                                  | 1                    |
| R -104           | 2210005100                | 51R                             | 5% N4 * 51R                    | 5% N4 SOUCOR                         | 1                    |
| SN -001          | 4200090000                | LM 741 CN B+ . DIP 8 PATTES ..  | LM 741 CN B+ . DIP 8 PINS .... | NS                                   | 1                    |
| SN -002          | 4200110000                | TBA 673 MODULATEUR 4 QUADRANS.  | TBA 673 MODULATOR 4 FACES .... | RTC                                  | 1                    |
| SN -003          | 4200090000                | LM 741 CN B+ . DIP 8 PATTES ..  | LM 741 CN B+ . DIP 8 PINS .... | NS                                   | 1                    |
| SN -004          | 4200090000                | LM 741 CN B+ . DIP 8 PATTES ..  | LM 741 CN B+ . DIP 8 PINS .... | NS                                   | 1                    |
| SN -005          | 4200180000                | LM 1458 N B+ DIP 8 PATTES ..... | LM 1458 N B+ DIP 8 PINS .....  | NS                                   | 1                    |
| T -001           | 0218030000                | 00 F2 30X38+38 .....            | 2200A                          | 00 F2 30X38+38 TURNS .....           | 2200A Z94 F2.....106 |
| T -002           | 0218040000                | 00 F2 16X2 SPIRES .....         | 2200A                          | 00 F2 16X2 TURNS .....               | 2200A Z94 F2.....18  |
| T -003           | 0216280000                | 01 F2 63 SPIRES .....           | 2200A                          | 01 F2 63 TURNS .....                 | 2200A Z94 F2.....63  |
| T -004           | 0218050000                | 00 F2 2X4+4 .....               | 2200A                          | 00 F2 2X4+4 TURNS .....              | 2200A Z94 F2.....10  |
| T -005           | 0218060000                | 00 F2 46X46 SPIRES .....        | 2200A                          | 00 F2 46X46 TURNS .....              | 2200A Z94 F2.....92  |
| T -006           | 0217170000                | 00 F2 95 SPIRES .....           | 2200A                          | 00 F2 95 TURNS .....                 | 2200A Z94 F2.....95  |
| T -007           | 0217170000                | 00 F2 95 SPIRES .....           | 2200A                          | 00 F2 95 TURNS .....                 | 2200A Z94 F2.....95  |
| T -008           | 0217280000                | 01 TORE FT5 T6 .....            | 2230A                          | 01 TORE FT5 T6 .....                 | ADRET.....           |
| Z0 -004          | 0206760000                | 00 ETIQUETTE 6907 .....         | 2230A                          | 00 LABEL 6907 .....                  | 2230A 942375.....    |
| Z1               | 1269070400                | CI DEMODULATEUR AMPLI ..        | 2230A                          | PC AMPLI DEMODULATOR ...             | 2230A L996907.....TM |
| Z1               | 1400109900                | POINT TEST .....                |                                | TEST POINT .....                     | C940850              |
| Z1               | 1900200000                | EXTRACTEUR DE CARTE 'ELEVATEUR' |                                | BOARD EXTRACTOR 'LIFTER'             | TRELEC               |
| Z4               | 4900070000                | ENTRETOISE T05 .....            | T05-001                        | SPACER T05 .....                     | T05-001 JERMYN       |
| Z4               | 4900080000                | ENTRETOISE DE CI .....          | MON 10L                        | PC SPACER .....                      | MON 10L JERMYN       |
| Z4               | 4900250000                | ENTRETOISE T018-019D .....      |                                | SPACER T018-019D .....               | JERMYN               |
| Z5               | 5400050000                | CALE ISOLANTE NEOSID POUR CI .. |                                | NEOSID INSULATING QUOIN FOR PC       | 940008               |
| Z5               | 5500170000                | TORE 4B1 3,7X1,2X3,5 .....      |                                | TORE 4B1 3.7X1.2X3.5 .....           | RTC                  |
| Z6               | 6400530000                | OEUillet LAITON .....           | N° 2070                        | FIXING EYELET BRASS ..               | N° 2070 MFORM        |

CONVERTISSEUR NUMERIQUE / ANALOGIQUE  
DIGITAL / ANALOG CONVERTER





CE DOCUMENT EST UN DOCUMENT CONFIDENTIEL